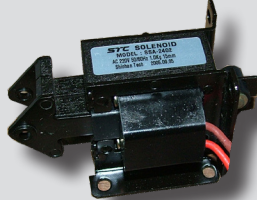


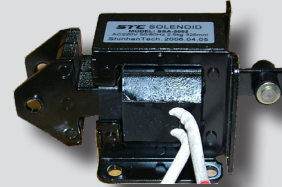
STC series



STC-1092



STC-2402



STC-3002

How to Order

STC - 1092 - AC110V

①

②

① Type

Refer to the table below

② Current

AC110V	AC110V 50/60Hz
AC220V	AC220V 50/60Hz

Specifications

Model	STC-1092	STC-2402	STC-2502	STC-2602	STC-3002	STC-3502	STC-3602	STC-3702	STC-4402
Stroke	10 mm	15 mm	15 mm	15 mm	20 mm	20 mm	20 mm	20 mm	30 mm
Force kgf(N)	≤0.6(5.8)	≤1.0(9.8)	≤1.5(14.7)	≤2.0(19.6)	≤3.0(29.4)	≤3.0(29.4)	≤4.0(39.2)	≤5.0(49.0)	≤5.0(49.0)
Current	AC 110V, 220V 50/60Hz								
Coil insulation	Class B								
Insulation resistance	≥ 100M Ohm at 500V (Room temperature and general humidity)								
Withstand voltage	AC1500V for 1 minute	AC2000V for 1 minute							
Temperature rise	≤85 °C (Resistance method)								
Weight	235g	360g	430g	490g	760g	1015g	1175g	1315g	2130g

Model	STC-442	STC-4502	STC-452	STC-4602	STC-472
Stroke	30 mm	30 mm	30 mm	30 mm	30 mm
Force kgf(N)	≤5.0(49.0)	≤6.0(58.6)	≤7.0(68.6)	≤8.0(78.4)	≤10.0(98.0)
Current	AC 110V, 220V 50/60Hz				
Coil insulation	Class B				
Insulation resistance	≥ 100M Ohm at 500V (Room temperature and general humidity)				
Withstand voltage	AC2000V for 1 minute				
Temperature rise	≤85 °C (Resistance method)				
Weight	-	2650g	-	3250g	-

Applications

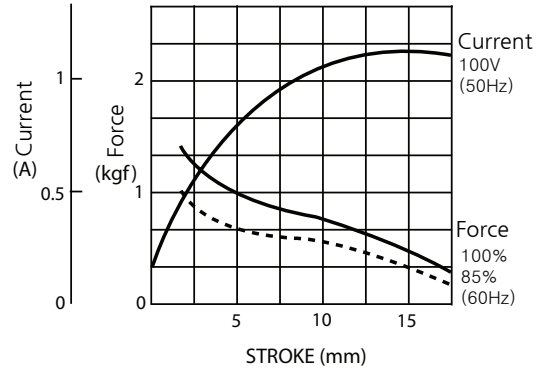
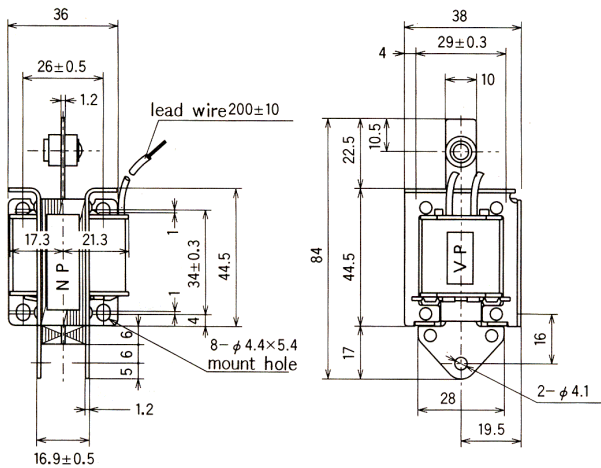
- Inter-Lock [open/close] : Banding machine, game machine, conveyer
- Auto sorting machine: Food sorting machine
- Brake : NC machine, lift, hoist, milling and etc.
- Clutch : Safety device, breaker, NC machine
- Lever : Automatic machine, counter, machine split controller
- Punch, Press machine : Riveting machine, punch machine, Numbering stamps
- Feeder : Air cleaner, refrigerator, packing machine, hotplate Apparatus

Features

- Excellent heat, water, oil and impact resistance.
- Integration of coil bobbin and plunger guide improves electrical and mechanical properties.

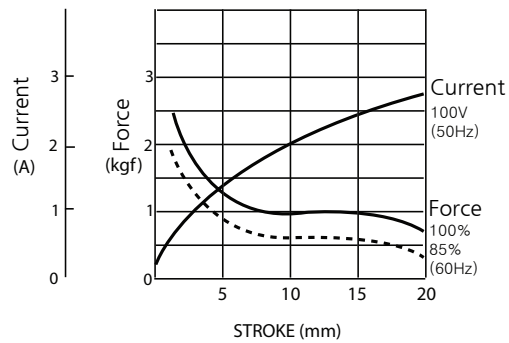
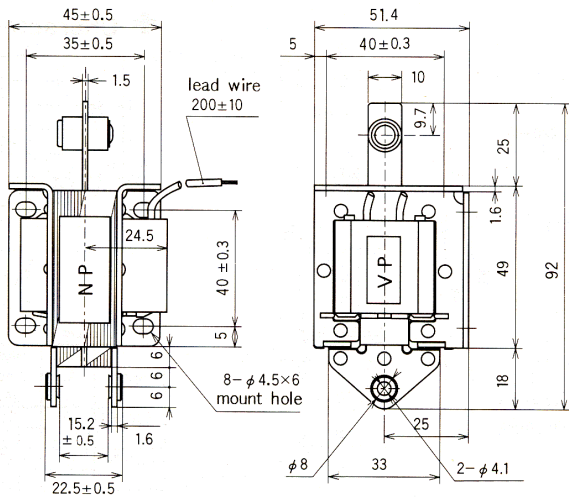
Dimensions & Force Graph

STC-1092



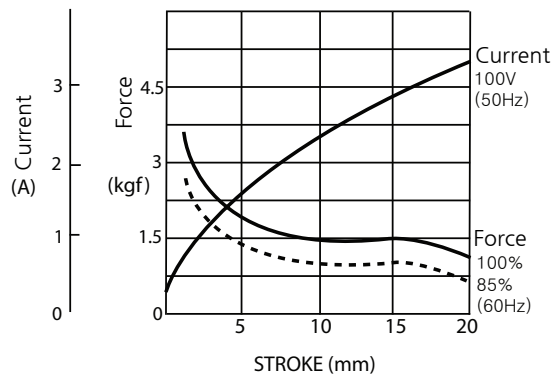
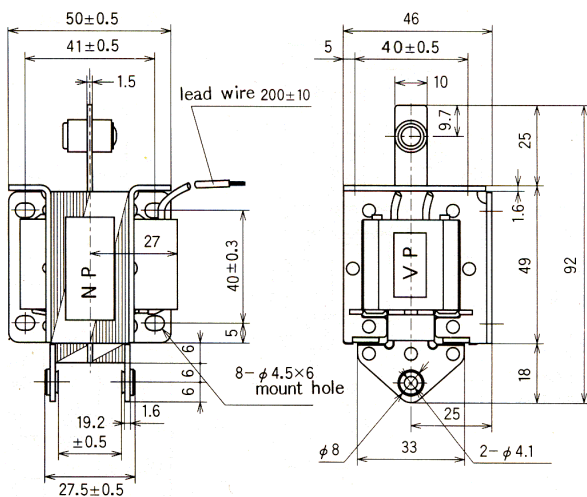
Model	Input AC (V)	Inrush current (A)	Holding current (A)	Rated load/stroke
STC-1092	100	1.1	0.16	0.6kgf(5.8N) /10mm
	200	0.6	0.1	

STC-2402



Model	Input AC (V)	Inrush current (A)	Holding current (A)	Rated load/stroke
STC-2402	100	2.1	0.21	1.0kgf(9.8N) /15mm
	200	1.1	0.12	

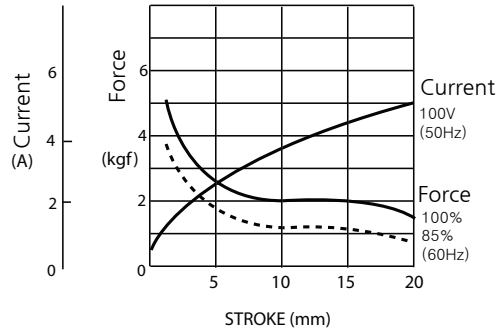
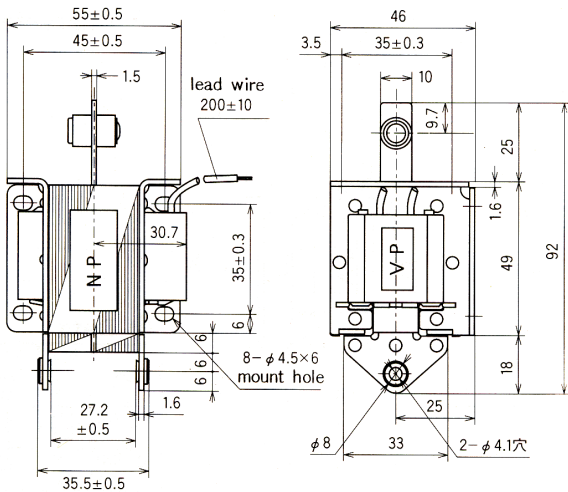
STC-2502



Model	Input AC (V)	Inrush current (A)	Holding current (A)	Rated load/stroke
STC-2502	100	3.1	0.35	1.5kgf(14.7N) /15mm
	200	1.4	0.17	

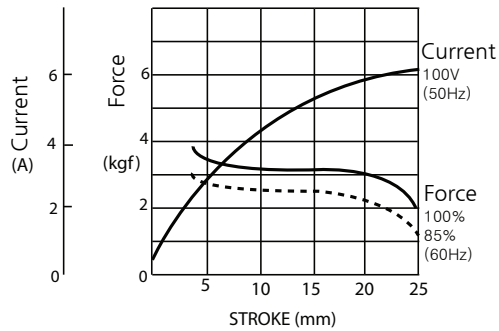
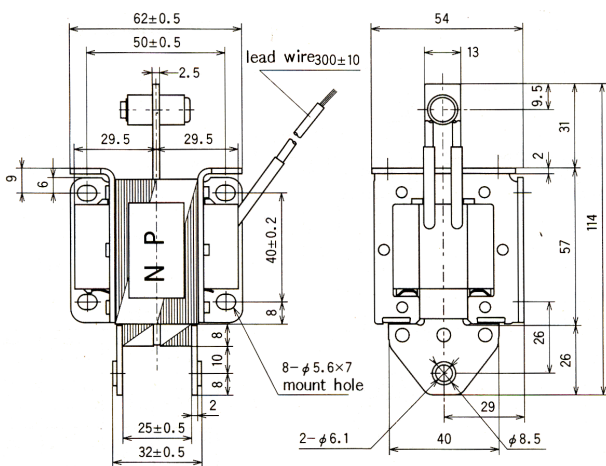
Dimensions & Force Graph

STC-2602



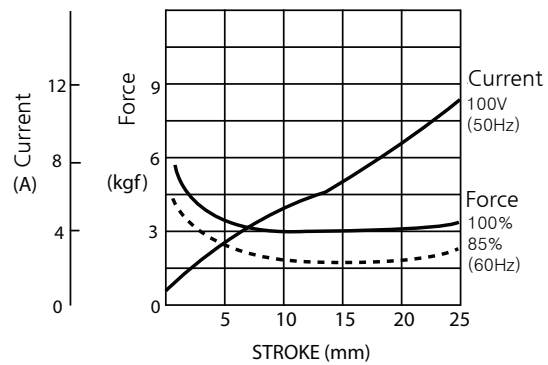
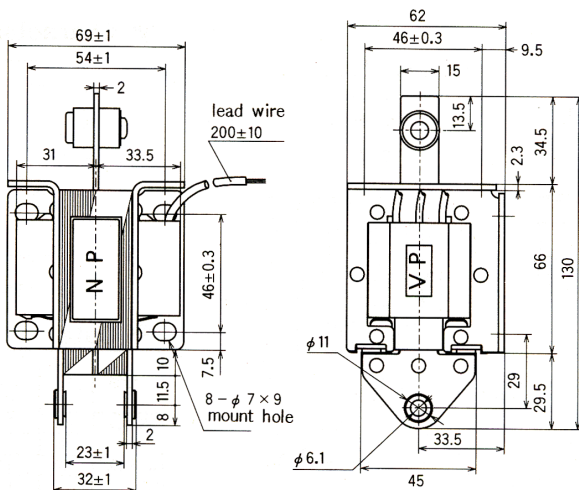
Model	Input AC (V)	Inrush current (A)	Holding current (A)	Rated load/stroke
STC-2602	100	4	0.4	2.0kgf(19.6N) /15mm
	200	2	0.2	

STC-3002



Model	Input AC (V)	Inrush current (A)	Holding current (A)	Rated load/stroke
STC-3002	100	5.8	0.52	3.0kgf(29.4N) /20mm
	200	2.9	0.25	

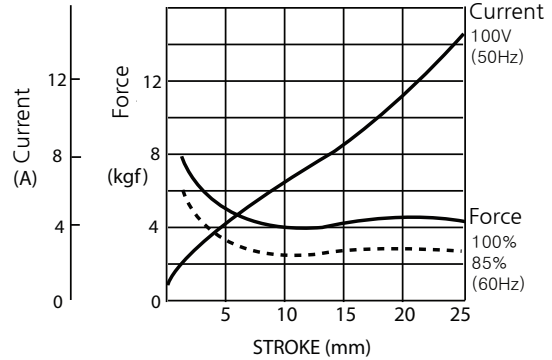
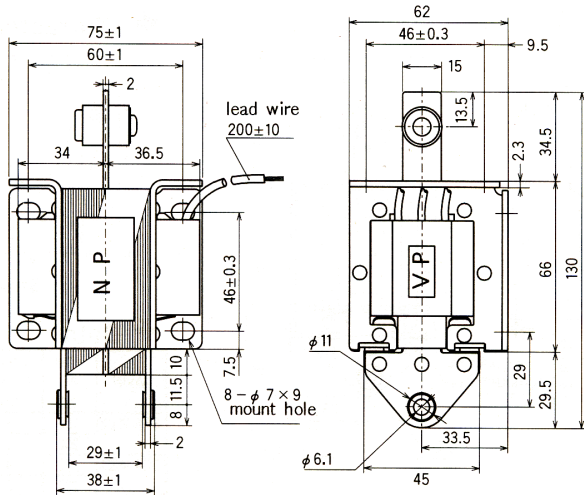
STC-3502



Model	Input AC (V)	Inrush current (A)	Holding current (A)	Rated load/stroke
STC-3502	100	8	0.6	3.0kgf(29.4N) /20mm
	200	4	0.33	

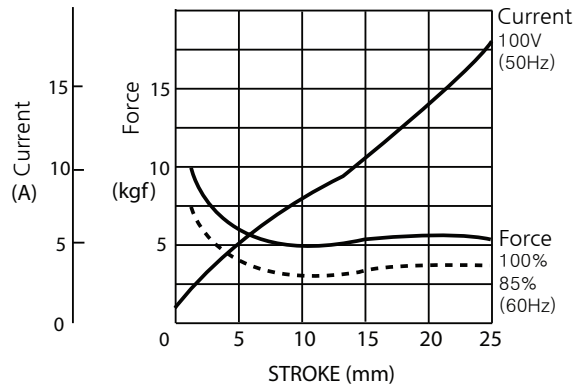
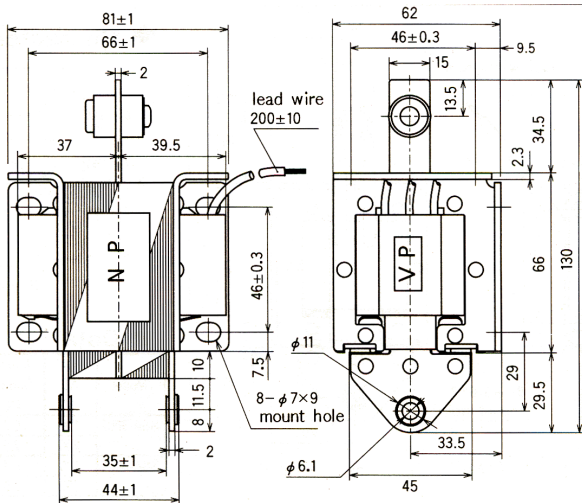
Dimensions & Force Graph

STC-3602



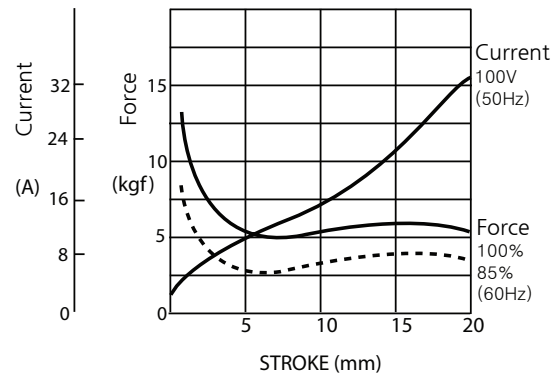
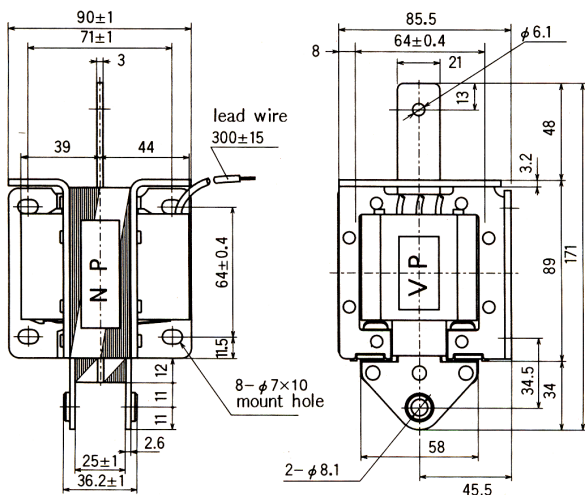
Model	Input AC (V)	Inrush current (A)	Holding current (A)	Rated load/stroke
STC-3602	100	9.6	0.8	4.0kgf(39.2N) /20mm
	200	4.5	0.4	

STC-3702



Model	Input AC (V)	Inrush current (A)	Holding current (A)	Rated load/stroke
STC-3702	100	12	0.9	5.0kgf(49.0N) /20mm
	200	5.5	0.45	

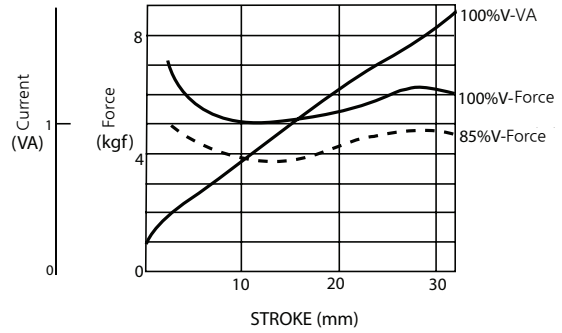
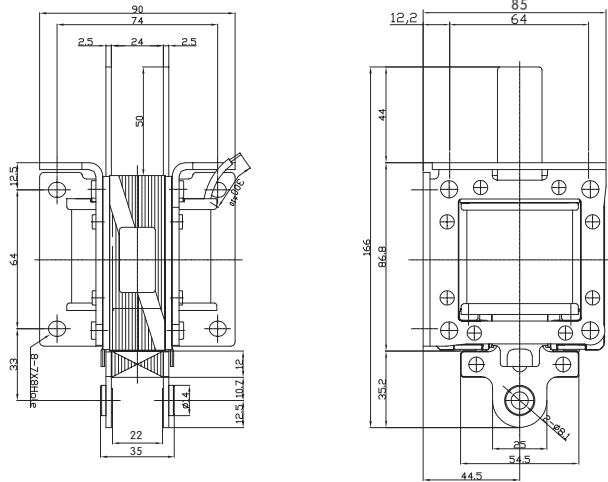
STC-4402



Model	Input AC (V)	Inrush current (A)	Holding current (A)	Rated load/stroke
STC-4402	100	20	1.4	5.0kgf(49.0N) /30mm
	200	10	0.65	

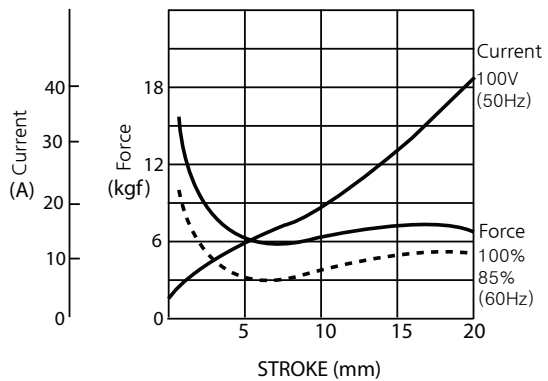
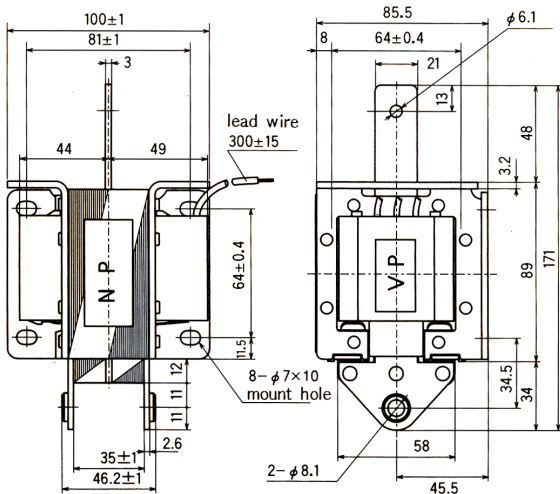
Dimensions & Force Graph

STC-442



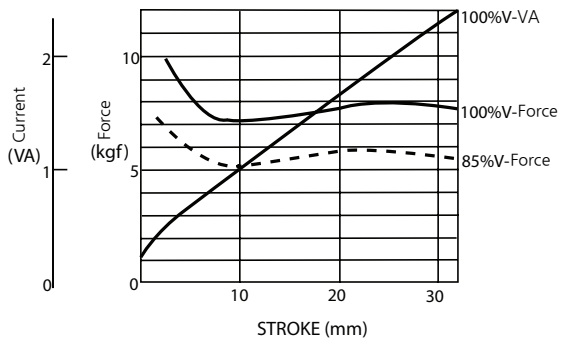
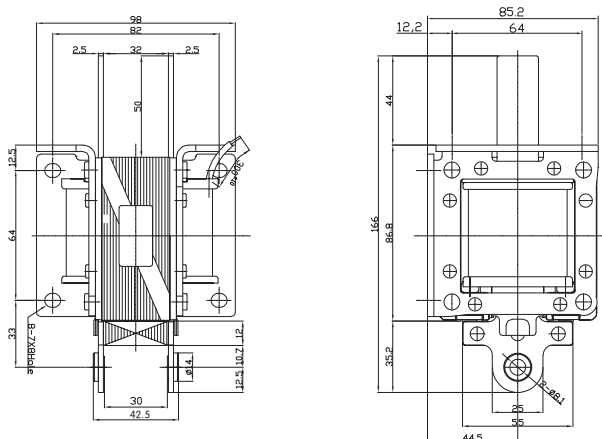
Model	Input AC (V)	Inrush current (A)	Holding current (A)	Rated load/stroke
STC-442	110	50Hz	1.32	5.0kgf(49N) /30mm
		60Hz	1.54	
	220	50Hz	0.66	
		60Hz	0.77	

STC-4502



Model	Input AC (V)	Inrush current (A)	Holding current (A)	Rated load/stroke
STC-4502	100	27	1.75	6.0kgf(58.8N) /30mm
	200	12.6	0.76	

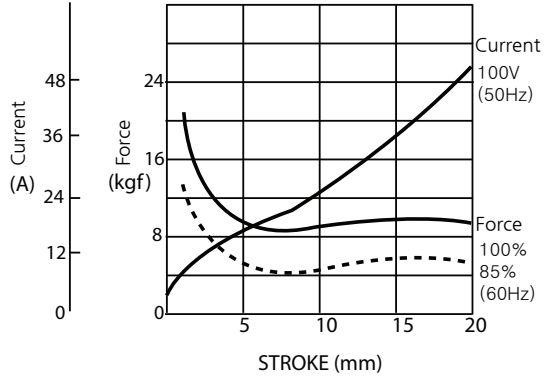
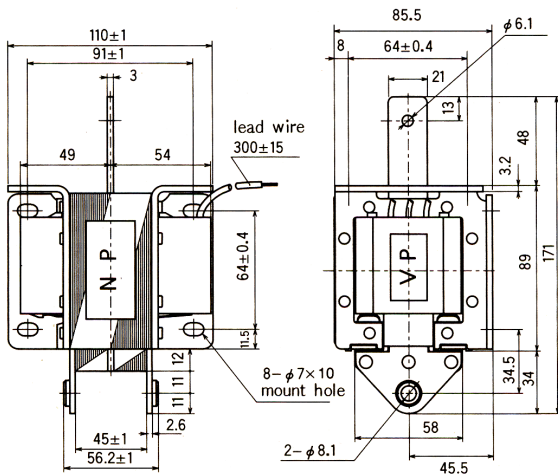
STC-452



Model	Input AC (V)	Inrush current (A)	Holding current (A)	Rated load/stroke
STC-452	110	50Hz	1.43	7.0kgf(68.6N) /30mm
		60Hz	1.65	
	220	50Hz	0.715	
		60Hz	0.825	

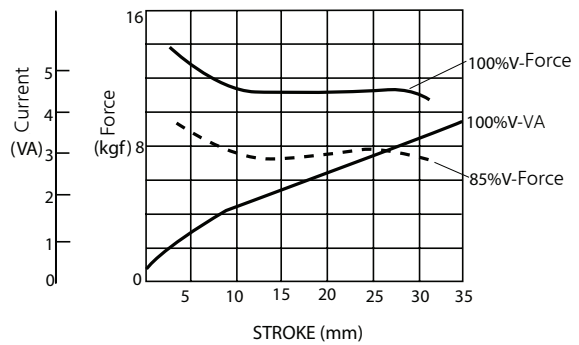
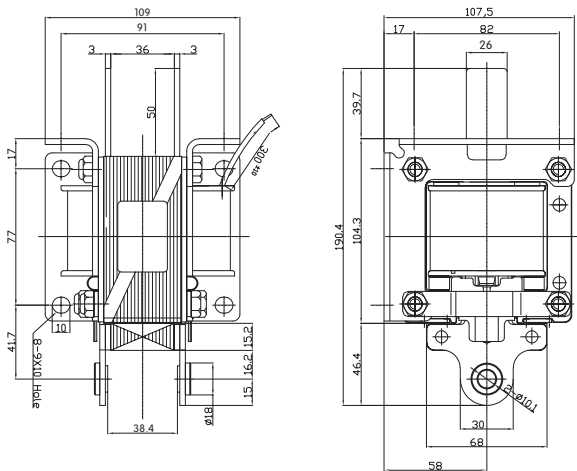
Dimensions & Force Graph

STC-4602



Model	Input AC (V)	Inrush current (A)	Holding current (A)	Rated load/stroke
STC-4602	100	32	2	8.0kgf(78.4N) /30mm
	200	14.5	1	

STC-472



Model	Input AC (V)	Inrush current (A)	Holding current (A)	Rated load/stroke
STC-472	110	50Hz	2.0A	10.0kgf(98N) /30mm
		60Hz	2.2A	
	220	50Hz	1.0mA	
		60Hz	1.2A	