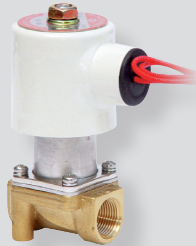
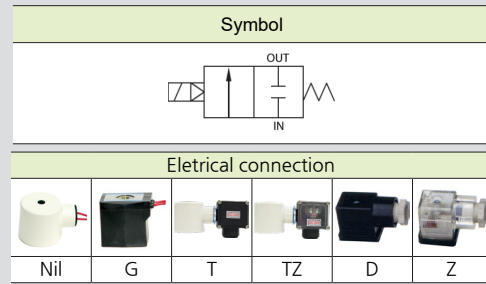


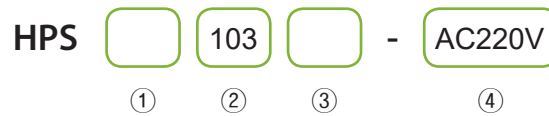
# HPS102, 103, 154 series



HPS 103



## How to Order



### ① Port type

Nil	Rc(PT) (Standard)
G	G

### ② Orifice & Port size

	Orifice	Port size
102	Ø10	1/4
103	Ø10	3/8
154	Ø15	1/2

### ④ Electrical connection

Nil	Console box (Standard)
G	Grommet coil
T	Console box + Terminal box
TZ	Console box + Terminal box (Lamp)
D	DIN coil + DIN connector
Z	DIN coil + DIN connector (Lamp)

### ⑥ Rated voltage

AC110V	AC110V 60Hz
AC220V	AC220V 60Hz
AC100V	AC100V 50/60Hz
AC200V	AC200V 50/60Hz
AC220V-50Hz	AC 220V 50Hz
AC240V-50Hz	AC 240V 50Hz
AC24V-50Hz	AC 24V 50Hz

## Specifications

Classification	Standard	Option	Classification	Standard	Option
Fluid	Air, Steam, Hot water		Voltage	AC100V 50/60Hz	AC220V 50Hz
Fluid temp.	0 ~ 180 °C			AC110V 60Hz	AC240V 50Hz
Ambient temp.	50 °C (Max.)			AC200V 50/60Hz	AC 24V 50Hz
Pressure range	0.5 ~ 7kgf/cm <sup>2</sup> (0.05 ~ 0.7MPa)		Allowable voltage fluctuation	±10% (AC)	
Coil insulation	Class H		Power consumption	AC: 14W	
Electrical connection	Lead wire	Grommet coil Terminal box DIN connector	Body material	Brass	
Port size	Rc(PT)1/4, 3/8, 1/2		Seal material	PTFE + SUS 304 PISTON	
Orifice	Ø10, Ø15		Weight	0.53kg , 0.77kg	

※ Not available in explosive atmosphere.

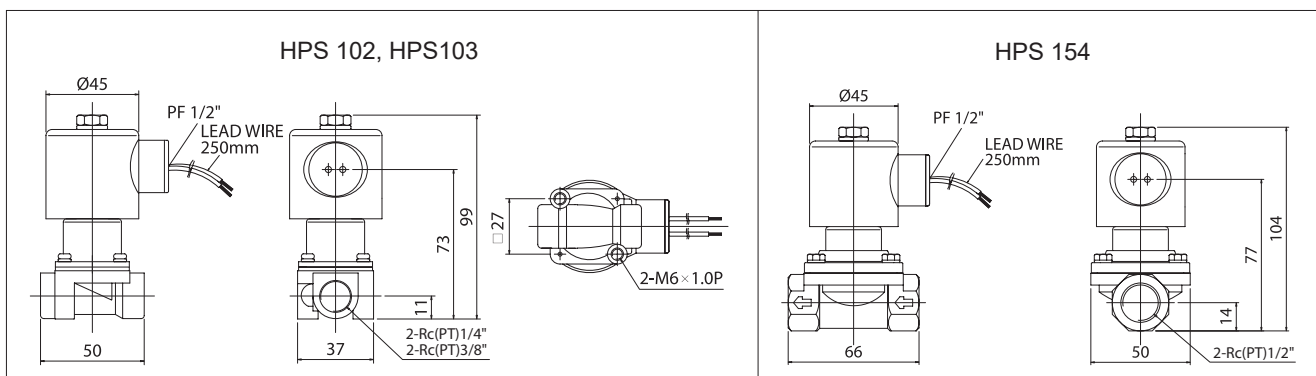
## Features

- Piston pilot type
- Normally closed type
- Max temperature 180 °C
- Fire resistant structure, high durability

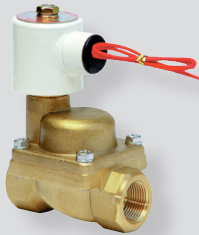
## Applications

- Steam piping
- Washing machine
- Sterilizer
- Heating system
- Heat exchanger
- Industrial washing machine

## Dimensions



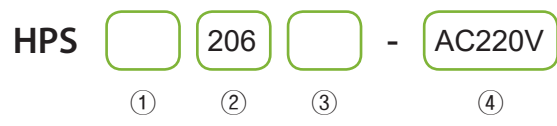
# HPS206~5020 series



HPS 206

Symbol					
Electrical connection					
Nil	G	T	TZ	D	Z

## How to Order



### ① Port type

Nil	Rc(PT) (Standard)
G	G

### ② Orifice & Port size

	Orifice	Port size
206	Ø20	3/4
2510	Ø25	1
3212	Ø32	1 1/4
4014	Ø40	1 1/2
5020	Ø50	2

### ④ Electrical connection

Nil	Console box (Standard)
G	Grommet coil
T	Console box + Terminal box
TZ	Console box + Terminal box (Lamp)
D	DIN coil + DIN connector
Z	DIN coil + DIN connector (Lamp)

### ⑥ Rated voltage

AC110V	AC110V 60Hz
AC220V	AC220V 60Hz
AC100V	AC100V 50/60Hz
AC200V	AC200V 50/60Hz
AC220V-50Hz	AC 220V 50Hz
AC240V-50Hz	AC 240V 50Hz
AC24V-50Hz	AC 24V 50Hz

## Specifications

Classification	Standard	Option	Classification	Standard	Option
Fluid	Air, Steam, Hot water		Voltage	AC100V 50/60Hz	AC220V 50Hz
Fluid temp.	0 ~ 180 °C			AC110V 60Hz	
Ambient temp.	Max. 50 °C			AC200V 50/60Hz	
Pressure range	0.5 ~ 7kgf/cm <sup>2</sup> (0.05 ~ 0.7MPa)		Allowable voltage fluctuation	±10%(AC), ±5% (DC)	
Coil insulation	Class H		Power consumption	AC, DC : 14W	
Electrical connection	Lead wire G(PF)1/2	Grommet coil Terminal box DIN connector	Body material	Brass	
Port size	Rc(PT) 3/4, 1, 1 1/4, 1 1/2, 2		Seal material	PTFE + SUS 304 PISTON	
Orifice	Ø20, Ø25, Ø32, Ø40, Ø50		Weight	Refer to the table below	

※ Not available in explosive atmosphere.

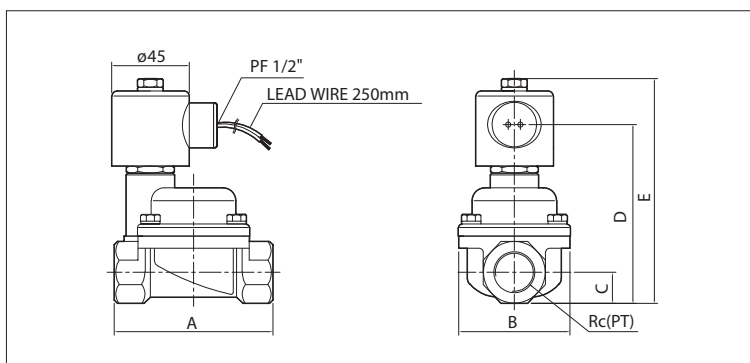
## Feature

- Piston pilot type
- Normally closed
- High temperature(Max. 180 °C), large capacity
- Explosion proof, long service life

## Application

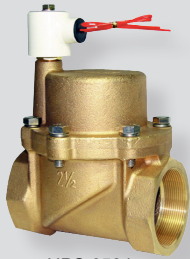
- Steam pipes
- Dyeing machinery
- Heat exchangers
- Industrial washer
- Sterilizer
- Steampresser

## Dimensions



Model	A	B	C	D	E	Rc(PT)	Weight (kg)
HPS 206	92	64.5	18	104	130	3/4	1.55
HPS 2510	92	64.5	21	110	137	1	1.57
HPS 3212	122	86	26	131	157	1 1/4	2.55
HPS 4014	122	86	29	137	163	1 1/2	2.75
HPS 5020	140	100	36	154	180	2	3.92

# HPS6524 series



HPS 6524

Symbol					
Electrical connection					
Nil	G	T	TZ	D	Z

## How to Order

HPS   65 24   - AC220V

①                      ②                      ③                      ④                      ⑤

### ① Port type

Nil	Rc(PT) (Standard)
G	G

### ② Orifice

65	Ø65
----	-----

### ③ Port size

24	2 1/2
----	-------

### ④ Electrical connection

Nil	Console box (Standard)
G	Grommet coil
T	Console box + Terminal box
TZ	Console box + Terminal box (Lamp)
D	DIN coil + DIN connector
Z	DIN coil + DIN connector (Lamp)

### ⑥ Rated voltage

AC110V	AC110V 60Hz
AC220V	AC220V 60Hz
AC100V	AC100V 50/60Hz
AC200V	AC200V 50/60Hz
AC220V-50Hz	AC 220V 50Hz
AC240V-50Hz	AC 240V 50Hz
AC24V-50Hz	AC 24V 50Hz

## Specifications

Classification	Standard	Option	Classification	Standard	Option
Fluid	Air, Steam, Hot water		Voltage	AC100V 50/60Hz	AC220V 50Hz AC240V 50Hz AC 24V 50Hz
Fluid temp.	0 ~ 180℃			AC110V 60Hz	
Ambient temp.	50℃ (Max.)			AC200V 50/60Hz AC220V 60Hz DC24V	
Pressure range	1 ~ 7kgf/cm <sup>2</sup> (0.1 ~ 0.7MPa)		Allowable voltage fluctuation	±10%(AC), ±5% (DC)	
Coil insulation	Class H		Power consumption	AC, DC : 14W	
Electrical connection	Lead wire	Grommet coil Terminal box DIN connector	Body material	Bronze	
Port size	Rc(PT) 2 1/2		Seal material	PTFE + SUS 304 PISTON	
Orifice	Ø65		Weight	8.3kg	

## Features

- Piston pilot type
- Normally closed type
- Max temperature 180℃, Large capacity
- Fire resistant structure, high durability

## Applications

- Steam piping
- Industrial cleaner
- Sterilizer
- Ventilator
- Steam presser
- Heat exchanger

※ Not available in explosive atmosphere.

## Dimensions

