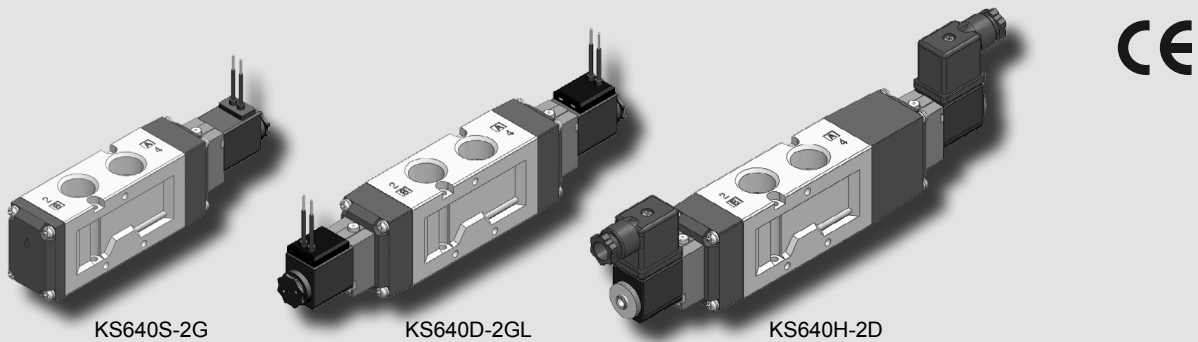
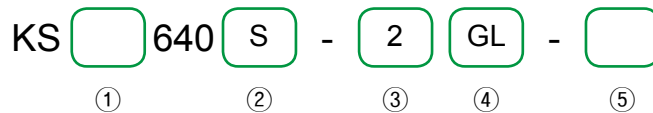


KS640 series



How to Order



① Port type

Nil	Rc(PT) (Standard)
G	G

③ Voltage

1	AC 100/110V 50/60Hz
2	AC 200/220V 50/60Hz
3	DC 24V
4	DC 12V

* Custom made with AC24V, AC48V, DC48V, DC100V is available.

④ Electrical connection

GL	Lead wire & lamp
G	Lead wire
D	DIN coil + DIN connector
DUL	DIN coil + DIN connector (UL Approval)
Z	DIN coil + DIN connector with lamp + Surge suppressor
ZUL	DIN coil + DIN connector with lamp + Surge suppressor (UL Approval)
GU	Lamp with 90°plug(400mm)
GP	Lamp with 180°plug(400mm)
DEXT4	Explosion proof
M	DIN coil + Metal DIN connector

② Function

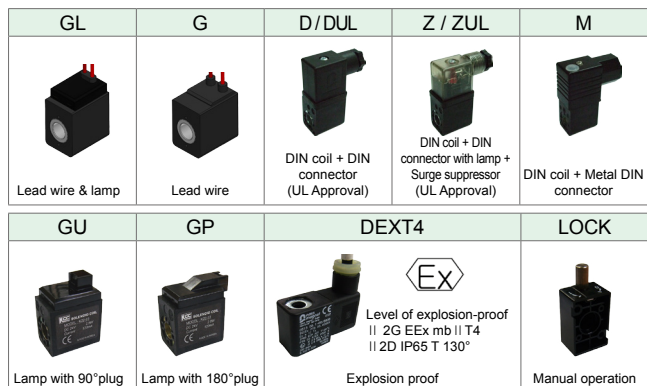
Function	Symbol	Function	Symbol
S Single acting		I Pressure center	
D Double acting		J Exhaust center	
H Closed center			

⑤ Manual override

Nil	Non-locking push type (Standard)
L	Locking type

Specifications

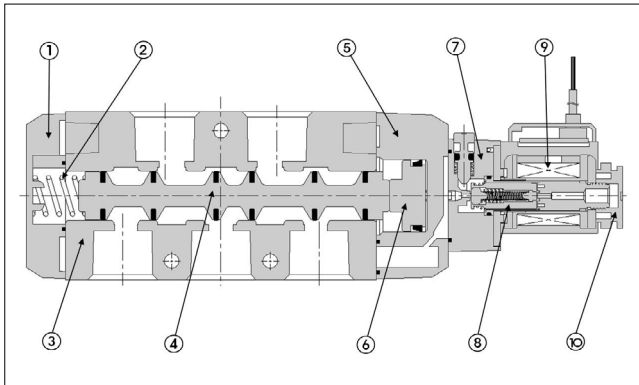
Type	S	D	H / I / J
Fluid	Air, Inert gas		
Port size	Rc(PT) 1/2, G 1/2		
Effective sectional area Smm ² (Cv)	65mm ² (3.6)		50mm ² (2.8)
Operating pressure	1.5~9kgf/cm ² (0.15~0.9MPa)		2~9kgf/cm ² (0.2~0.9MPa)
Max. operating frequency	3 cycle/sec		2 cycle/sec
Response time {at 5kgf/cm ² (0.5MPa)}	≤ 30ms		≤ 40ms
Lubrication	Not required		
Manual override	Non-locking push type (Standard), Locking type		
Power consumption	DC	2.8W	
	AC	4.5/3.6VA (50/60Hz)	
Allowable voltage	±10% rated voltage		
Ambient & fluid temperature	5°C ~ 60°C		
Coil insulation	Class F		
Applicable cylinder	Ø50~Ø160		
Weight	500g	620g	850g



Features

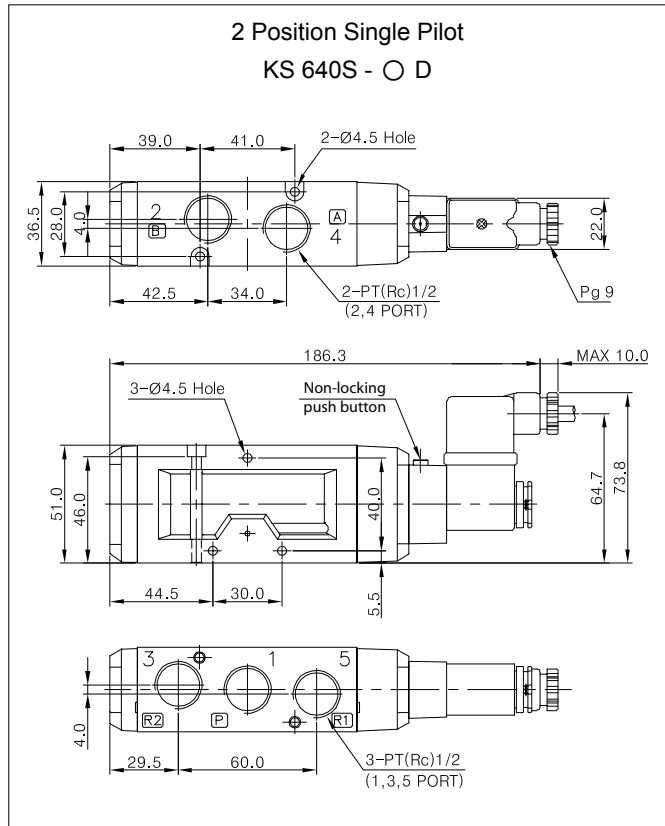
- Excellent durability with its non-lubricated type.
- Large capacity valve can be used in combination with large pneumatic actuator.
- Perfect for controlling system by PLC or computer with its low consuming current type.

Structure

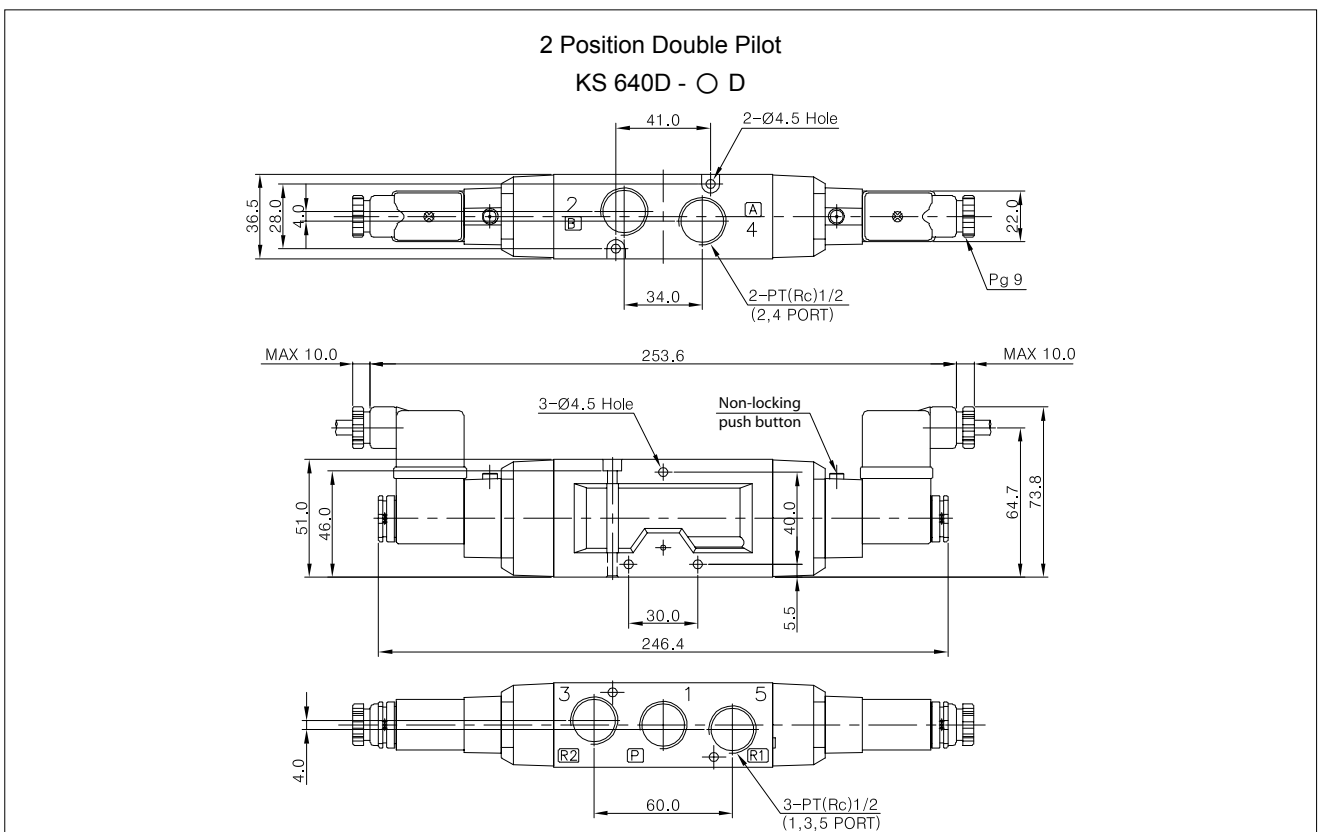


Part no.	Parts	Material
1	Cover	Plastic Resin
2	Spool Spring	SUS
3	Body	AL D/C
4	Spool Ass'y	AL & Others
5	Pilot	Plastic Resin
6	Piston	Plastic Resin
7	Seat	Plastic Resin
8	Plunger	Stainless Steel
9	Coil Ass'y	CU & Others
10	Lock Nut	Plastic Resin

Dimensions



Dimensions

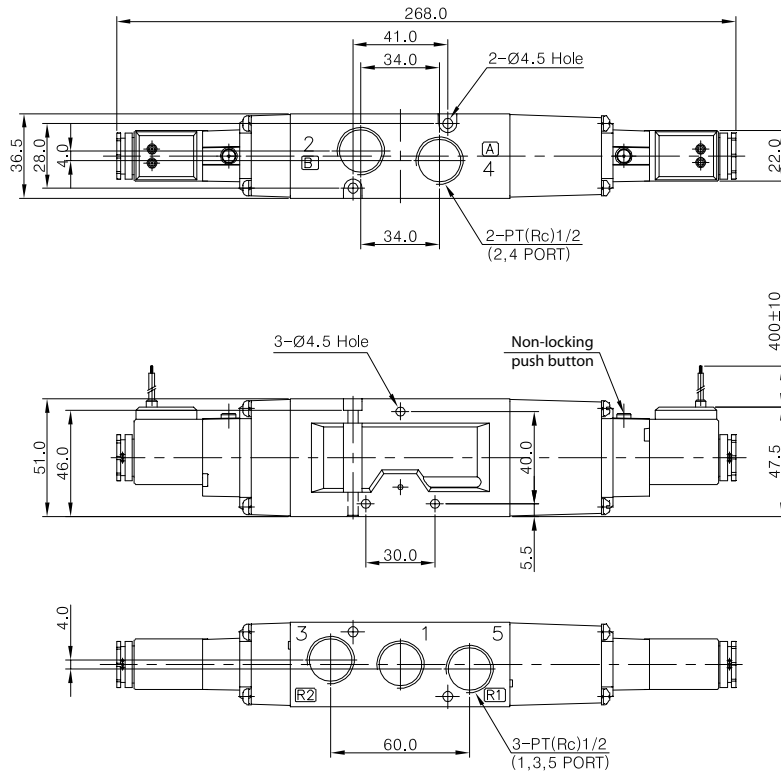


- Solenoid Valve
- Reference Data
- KT100 KMF0100
- KS105 KMF0500
- KS210 KMF1000
- KS320 KMF2000
- KS530 KMF3000
- KS640 KMF4000
- KS524
- KS534
- KS328
- KS760
- KS341 KMF2341
- KS342 KMF2342
- KPS542
- KCAS
- KJAS
- KST

Dimensions

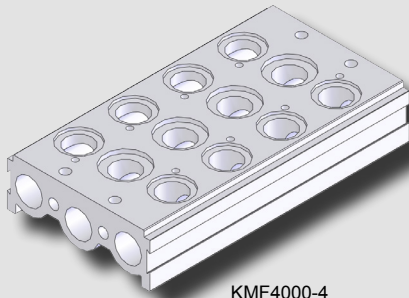
2 Position Double Pilot

KS 640H(I, J) - O GL

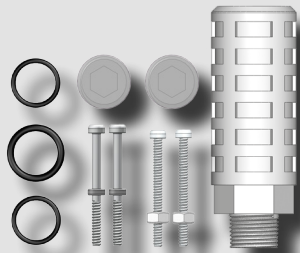




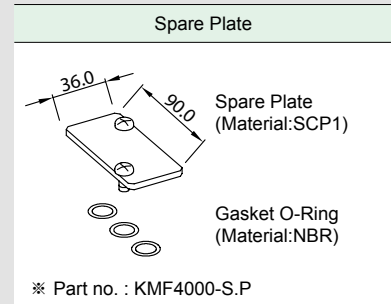
KMF4000 Manifold Block



KMF4000-4



Accessory of manifold block



Solenoid Valve

Reference Data

KT100
KMF0100

KS105
KMF0500

KS210
KMF1000

KS320
KMF2000

KS530
KMF3000

KS640
KMF4000

KS524

KS534

KS328

KS760

KS341
KMF2341

KS342
KMF2342

KPS542

KCAS

KJAS

KST

How to Order

KMF4000 - 4

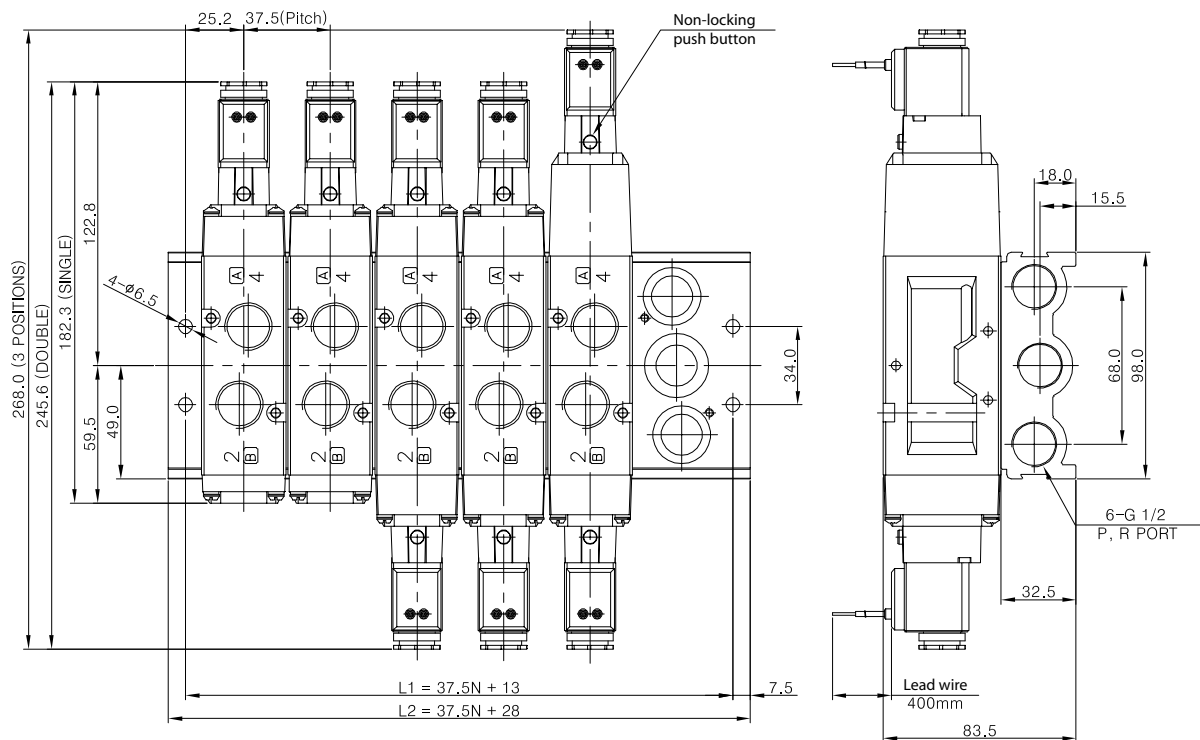
① Series

KMF4000	5 Port manifold block for KS640 series	Rc(PT) (Standard)
KMFG4000		G

② Station

2	2 Stations	5	5 Stations	8	8 Stations
3	3 Stations	6	6 Stations	9	9 Stations
4	4 Stations	7	7 Stations	10	10 Stations

Dimensions



Compatible valve						
KCC	CKD	SMC	SY	TPC	YPC	PARKER
KS640	-	-	SV-420	DS5000	SF6000	PHS540

Station	2	3	4	5	6	7	8	9	10
L1	88	125.5	163	200.5	238	275.5	313	350.5	388
L2	103	140.5	178	215.5	253	290.5	328	365.5	403