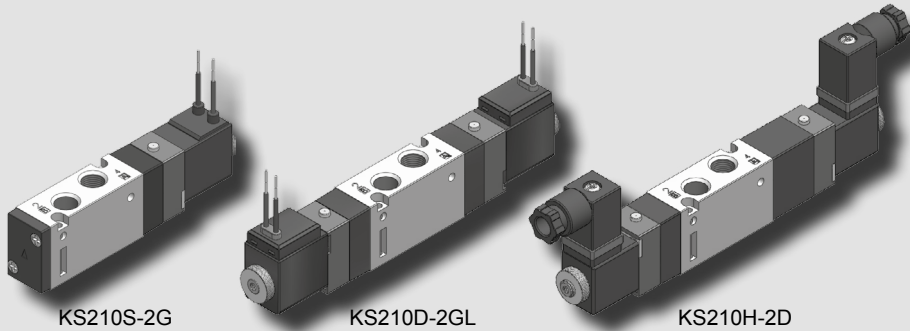


KS210 series



Certified by KIMM (Korean Institute of Machinery & Materials), This product is approved to maintain the quality and performance from the beginning under being given environmental conditions.

How to Order



① Port type

Nil	Rc(PT) (Standard)
G	G

② Function

Function	Symbol
S Single acting	
D Double acting	
H Closed center	
I Pressure center	
J Exhaust center	

③ Voltage

1	AC 100/110V 50/60Hz
2	AC 200/220V 50/60Hz
3	DC 24V
4	DC 12V

* Custom made with AC24V, AC48V, DC48V, DC100V is available.

④ Electrical connection

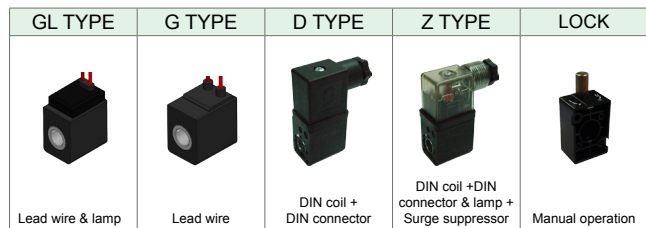
GL	Lead wire & lamp
G	Lead wire
D	DIN coil + DIN connector
Z	DIN coil + DIN connector with lamp + Surge suppressor

⑤ Manual override

Nil	Non-locking push type (Standard)
L	Locking type

Specifications

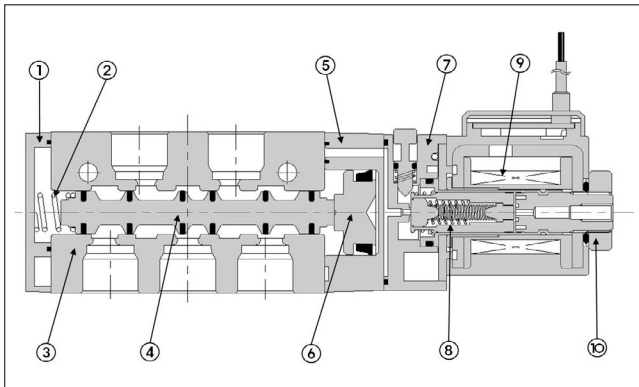
Type	S	D	H / I / J
Fluid	Air, Inert gas		
Port size	Rc(PT) 1/8, G 1/8		
Effective sectional area Smm ² (Cv)	12.6mm ² (0.6)	9.0mm ² (0.5)	
Operating pressure	1.5~9kgf/cm ² (0.15~0.9MPa)	2~9kgf/cm ² (0.2~0.9MPa)	
Max. operating frequency	5 cycle/sec	3 cycle/sec	
Response time {at 5kgf/cm ² (0.5MPa)}	≤ 25ms	≤ 35ms	
Lubrication	Not required		
Manual override	Non-lock push type (Standard)		
Power consumption	DC	2.5W	
	AC	3.5/3.0VA (50/60Hz)	
Allowable voltage	±10% rated voltage		
Ambient & fluid temperature	5°C ~ 60°C		
Coil insulation	Class F		
Applicable cylinder	Ø12~Ø63		
Weight	130g	180g	200g



Features

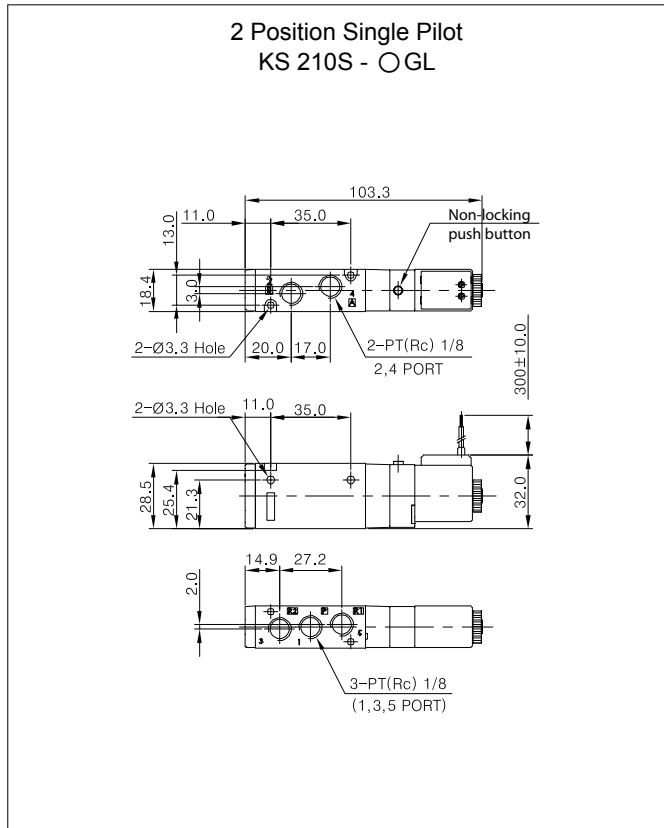
- Excellent durability with its non-lubricated type.
- Minimized installing area with its small size.
- Perfect for controlling system by PLC or computer with its low consuming current type.

Structure



Part no.	Parts	Material
1	Cover	Metal
2	Spool Spring	SUS
3	Body	AL D/C
4	Spool Ass'y	AL & Others
5	Pilot	Plastic Resin
6	Piston	Plastic Resin
7	Seat	Plastic Resin
8	Plunger	Stainless Steel
9	Coil Ass'y	CU & Others
10	Lock Nut	Metal

Dimensions



Solenoid Valve

Reference Data

KT100
KMF0100

KS105
KMF0500

KS210
KMF1000

KS320
KMF2000

KS530
KMF3000

KS640
KMF4000

KS524

KS534

KS328

KS760

KS341
KMF2341

KS342
KMF2342

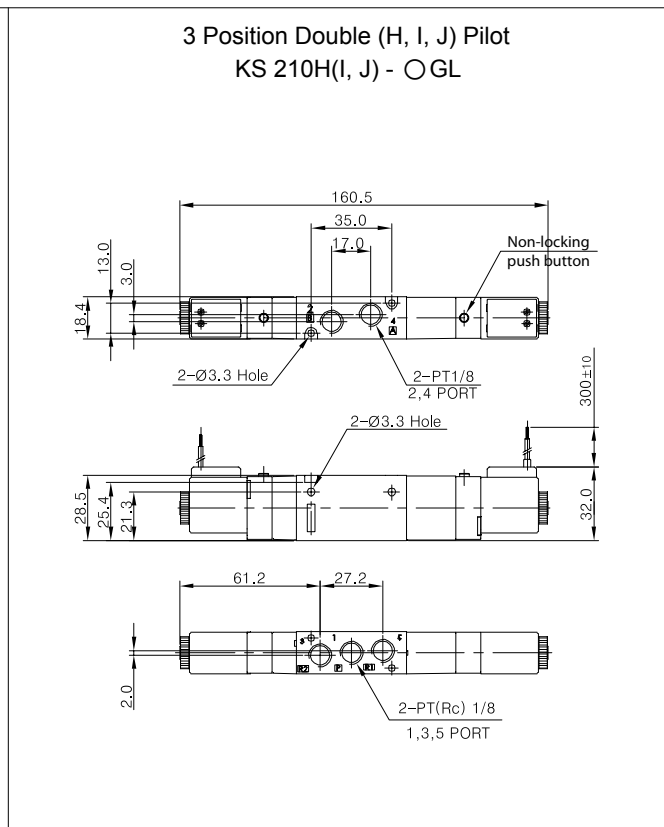
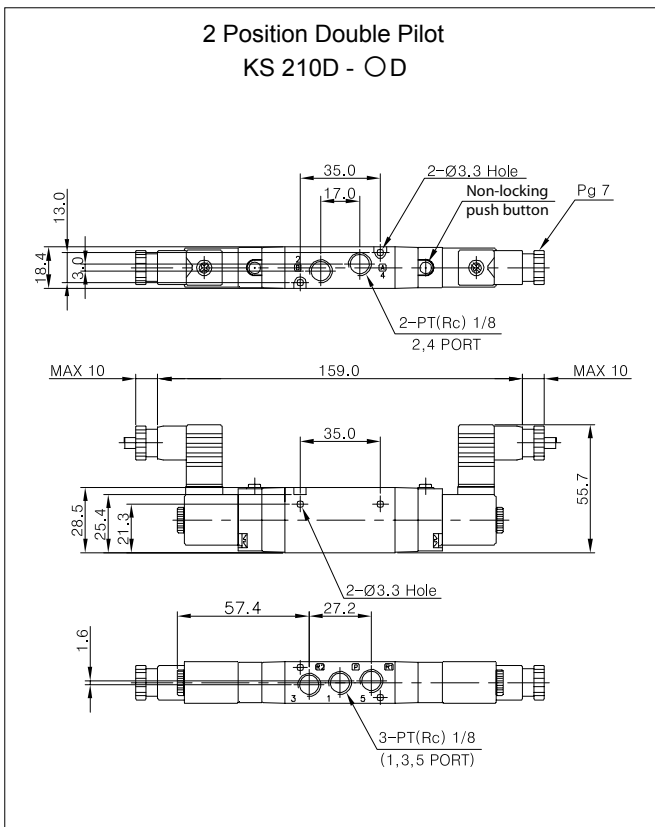
KPS542

KCAS

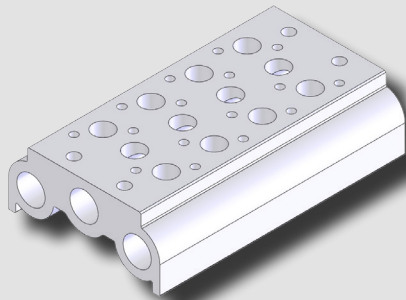
KJAS

KST

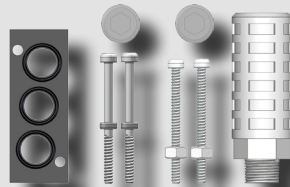
Dimensions



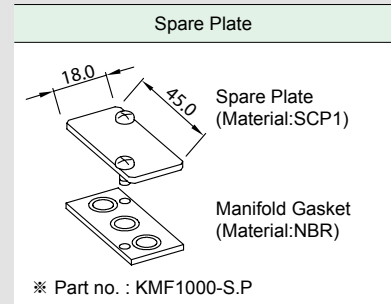
KMF1000 Manifold Block



KMF1000-4



Accessory of manifold block



How to Order

KMF1000 - 4

①

②

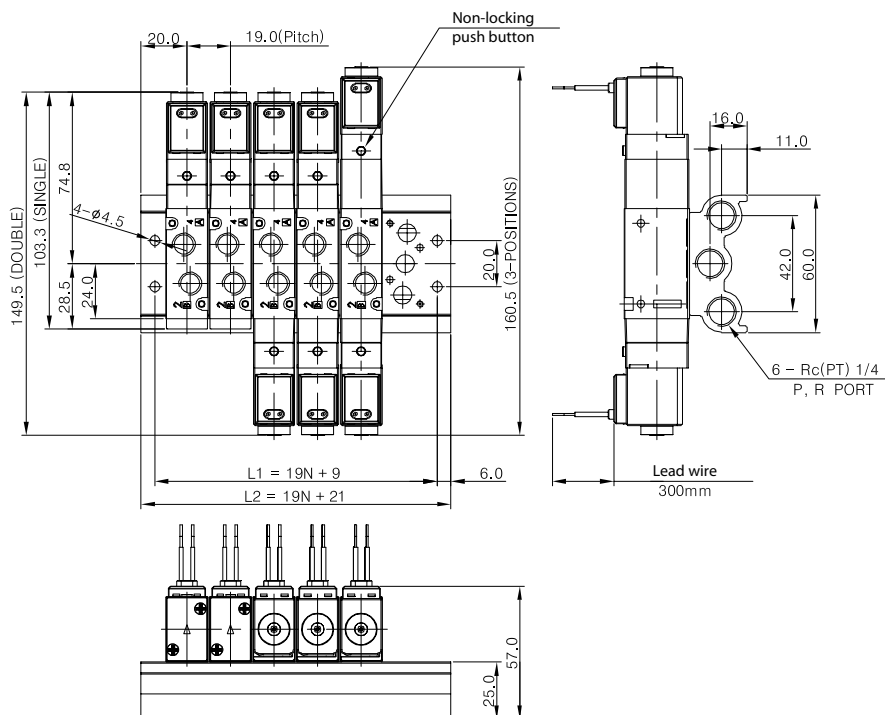
① Series

KMF1000	5 Port manifold block for KS210 series	Rc(PT) (Standard)
KMFG1000		G

② Station

2	2 Stations	5	5 Stations	8	8 Stations
3	3 Stations	6	6 Stations	9	9 Stations
4	4 Stations	7	7 Stations	10	10 Stations

Dimensions



Compatible valve

Compatible valve							Station	2	3	4	5	6	7	8	9	10
KCC	CKD	SMC	SY	TPC	YPC	PARKER	L1	47	66	85	104	123	142	161	180	199
KS210	4KA-210	VZ-5120	SV-110	DS2010	SF2000	PHS510	L2	59	78	97	116	135	154	173	192	211