

5port Pilot Operated Solenoid Valve (SV)

SV5000 Series (Rc(PT) 3/8)

- 32.0mm Body width
- Transition Flow 2000 l/min (5bar)



How to order

SV 5 1 30-220V - GL - P - 03

① Solenoid valve

② Function

- 1 - 2 position single
- 2 - 2 position double
- 3 - 3 position Closed Center
- 4 - 3 position Exhaust Center
- 5 - 3 position Pressure Center

③ Coil Rate Voltage

- 220V - AC 220V
- 110V - AC 110V
- 24V - AC 24V
- D24V - DC 24V

④ Coil Type

- Nil - Without Coil
- G - Flying Leads (Grommet)
- GL - Flying Leads with LED lamp(Grommet)
- C - 3 Pin coil + Connector
- CL - 3 Pin coil + LED lamp Connector

⑤ Manual Operator

- P - Push Button

⑥ Thread Type

- Nil - Rc(PT)
- N - NPT
- G - G(PF)

⑦ Port Size

- 03 - Rc(PT) 3/8

Symbol

2 Position Single



3 Position Closed Center



2 Position Double



3 Position Exhaust Center



3 Position Pressure Center



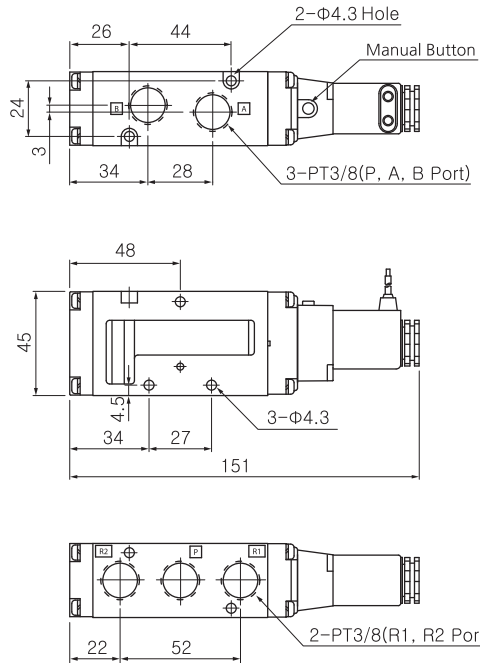
Specification

Function	5port 2position	5port 3position
Fluid	Compressed air	
Ambient and Media temp.	5 ~ 60°C	
Max. operating pressure	1.5~10bar	2~10bar
Eff. Sectional Area(5bar)	36mm ²	30mm ²
Response time(5bar)	30ms or less	40ms or less
Max. operating frequency	5c/sec	3c/sec
Lubrication	Not required	
Manual override	Push button	
Coil insulation	F-Class or Equivalent	
Allowable voltage	±10% rated voltage	
Power consumption	AC:4.9VA(60Hz) / DC:2.5W	

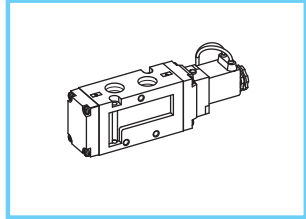
Series SV5000

DIMENSIONS (mm)

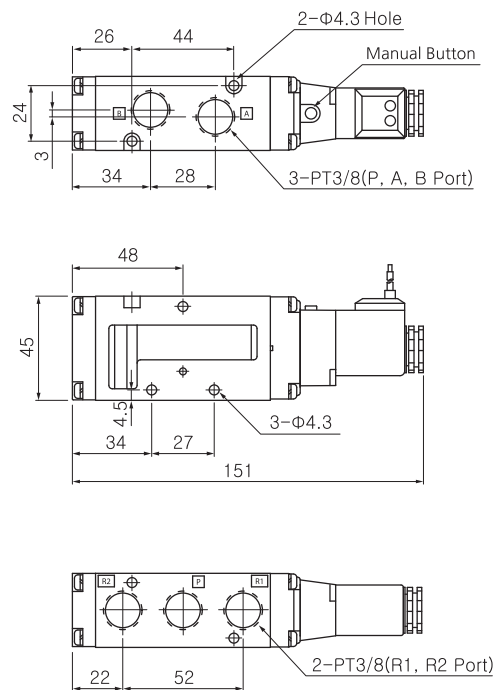
2position / 5port single(Grommet type)



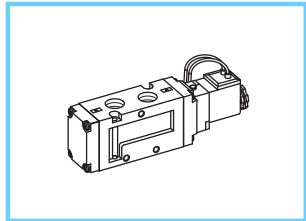
SV5130-□□□V-G-...



2position / 5port single(Lamp type)



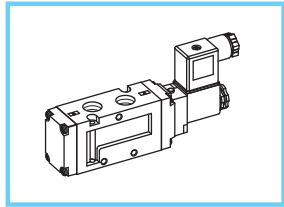
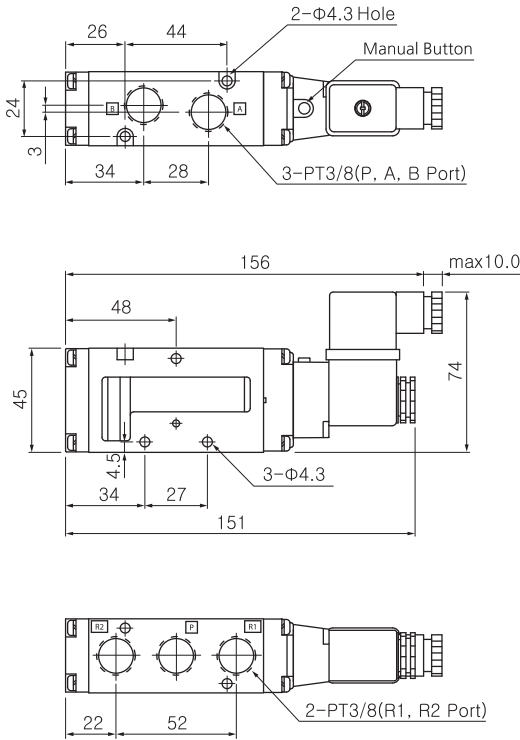
SV5130-□□□V-GL-...



DIMENSIONS (mm)

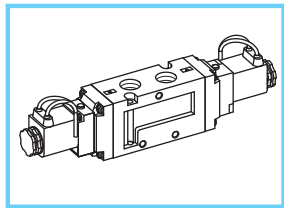
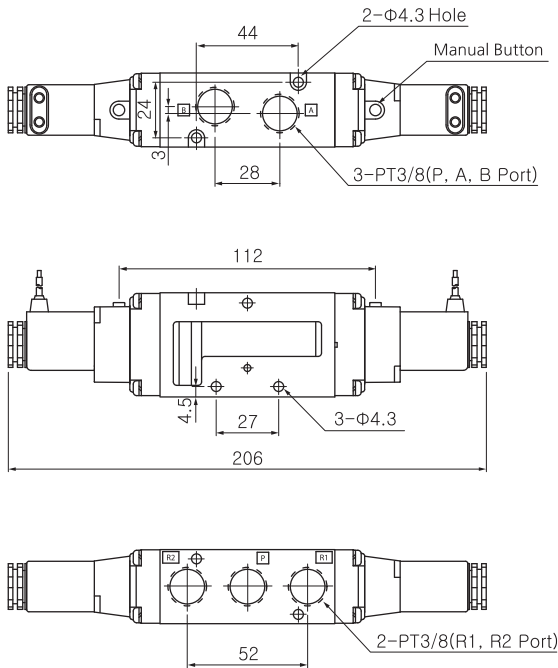
2position / 5port single(Connector type)

SV5130-□□□V-C□-...



2position / 5port double(Grommet type)

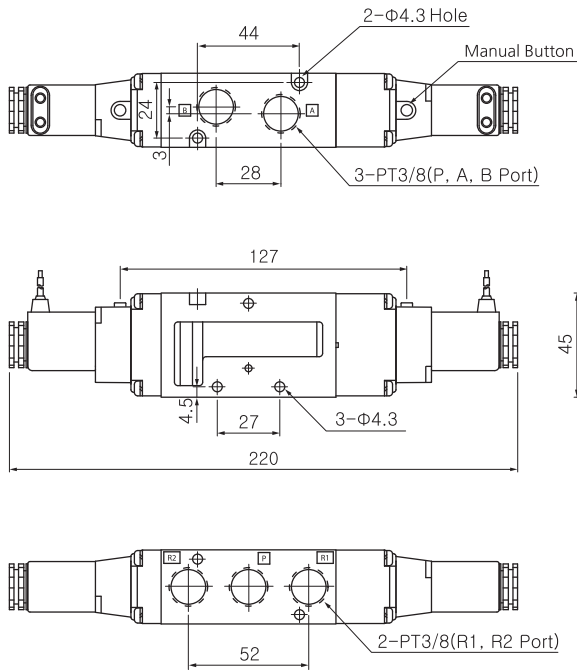
SV5230-□□□V-G-...



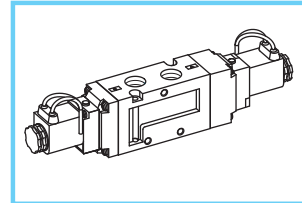
Series SV5000

DIMENSIONS (mm)

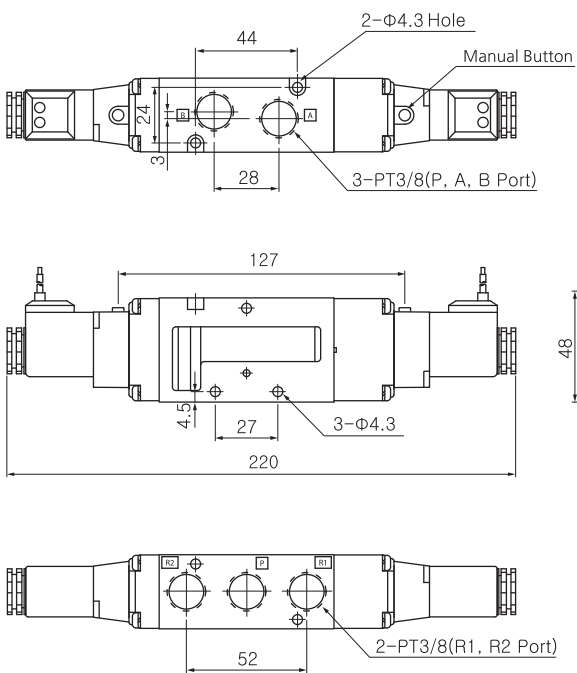
3position / 5port double(Grommet type)



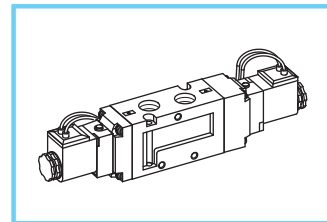
SV5330-□□□V-G-...



3position / 5port double(Lamp type)

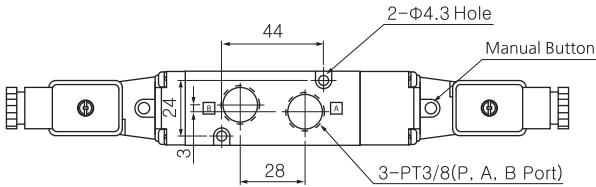


SV5330-□□□V-GL-...



DIMENSIONS (mm)

3position / 5port double(Connector type)



SV5330-□□□V-C□-...

