

# 3port Pilot Operated Solenoid Valve (SV)

## SV231~232 Series (Rc(PT) 1/4)

- 26.5mm Body width
- Transition Flow 1000 l/min (5bar)



### How to order

SV 23 1 - 110V - GL - P - 02

① Solenoid valve

② **Function**  
 1 - Normal Close(N.C.)  
 2 - Normal Open(N.O.)

③ **Coil Rate Voltage**  
 220V - AC 220V  
 110V - AC 110V  
 24V - AC 24V  
 D24V - DC 24V

④ **Coil Type**  
 Nil - Without Coil  
 G - Flying Leads (Grommet)  
 GL - Flying Leads with LED lamp(Grommet)  
 C - 3 Pin coil + Connector  
 CL - 3 Pin coil + LED lamp Connector

⑤ **Manual Operator**  
 P - Push Button

⑥ **Thread Type**  
 Nil - Rc(PT)  
 N - NPT  
 G - G(PF)

⑦ **Port Size**  
 02 - Rc(PT) 1/4

### Symbol

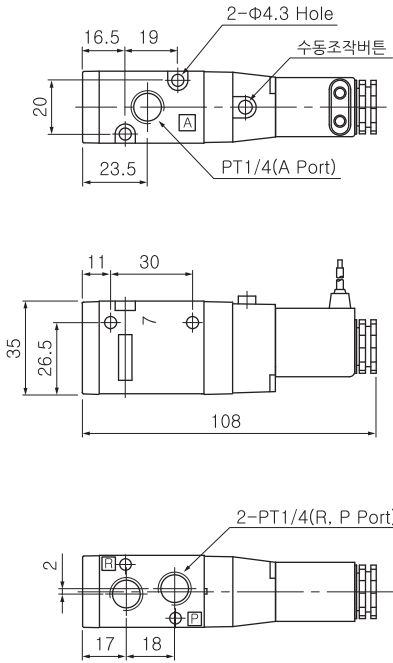


### Specification

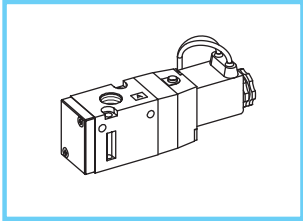
Fluid	Compressed air
Ambient and Media temp.	5~60°C
Max. operating pressure	1.5~10bar
Eff. Sectional Area(5bar)	19mm <sup>2</sup>
Response time(5bar)	25ms or less
Max. operating frequency	5c/sec
Lubrication	Not required
Manual override	Push button
Coil insulation	F-Class or Equivalent
Allowable voltage	±10% rated voltage
Power consumption	AC:4.9VA(60Hz) / DC:2.5W

## DIMENSIONS (mm)

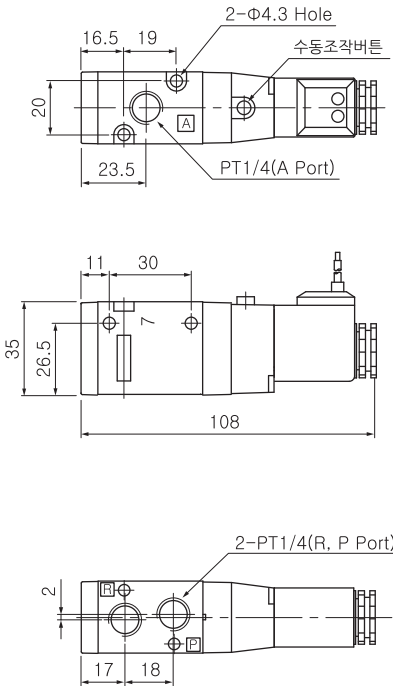
### 2position / 3port (Grommet type)



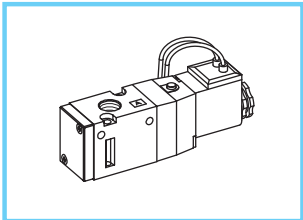
SV23□-□□□V-G-...



### 2position / 3port (Lamp type)



SV23□-□□□V-GL-...



# Series SV231~232

## DIMENSIONS (mm)

2position / 3port (Connector type)

SV23□-□□□V-C□-...

