

Filter Regulator (SAW)

SAW100~600 Series

- SAW series are compact type assemblies of a filter and regulator.



SAW100

SAW200

SAW300

SAW400

SAW600

How to order

SAW 4 00- 04 BDG - MeP

① Filter regulator

② Body Size

- 1 - 1/8
- 2 - 1/4
- 3 - 3/8
- 4 - 1/2
- 6 - 1

③ Thread type

- Nil - Rc(PT)
- N - NPT
- G - G(PF)

④ Port Size

Symbol	Size	Body size				
		1	2	3	4	6
M5	M5	●				
01	1/8		●			
02	1/4		●			
03	3/8			●		
04	1/2				●	
06	3/4				●	●
10	1					●

⑤ Accessory(Optional)

- Nil - None Bracket / Manual Drain / None Gauge
- B - Bracket
- D - Auto Drain

Symbol	Description	Body				
		1	2	3	4	6
D	One-touch fitting type	●	●	●	●	●
Dn	Nipple(PT1/8) type	-	-	●	●	●
Df	SAW200 Float type	-	●	-	-	-

Note) 1. SAW100 and SAW200 are differential pressure type.
2. SAW300~600 are float type.

- G - Gauge

G	Round type gauge
Gs	Square embedded type

Note) SAW100 is available only round type gauge.

⑦ Bowl

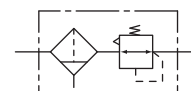
- Nil - Polycarbonate bowl with Nylon guard
- PcS - Polycarbonate bowl with Steel guard
- MeP - Metal bowl with pipe type sight glass

⑦ Set pressure(When ordering AR & AW100)

- Nil - 0.5~8.5bar(0.05~0.85MPa)
- 2 - 0.2~2bar(0.02~0.2MPa)

Symbol

SAW



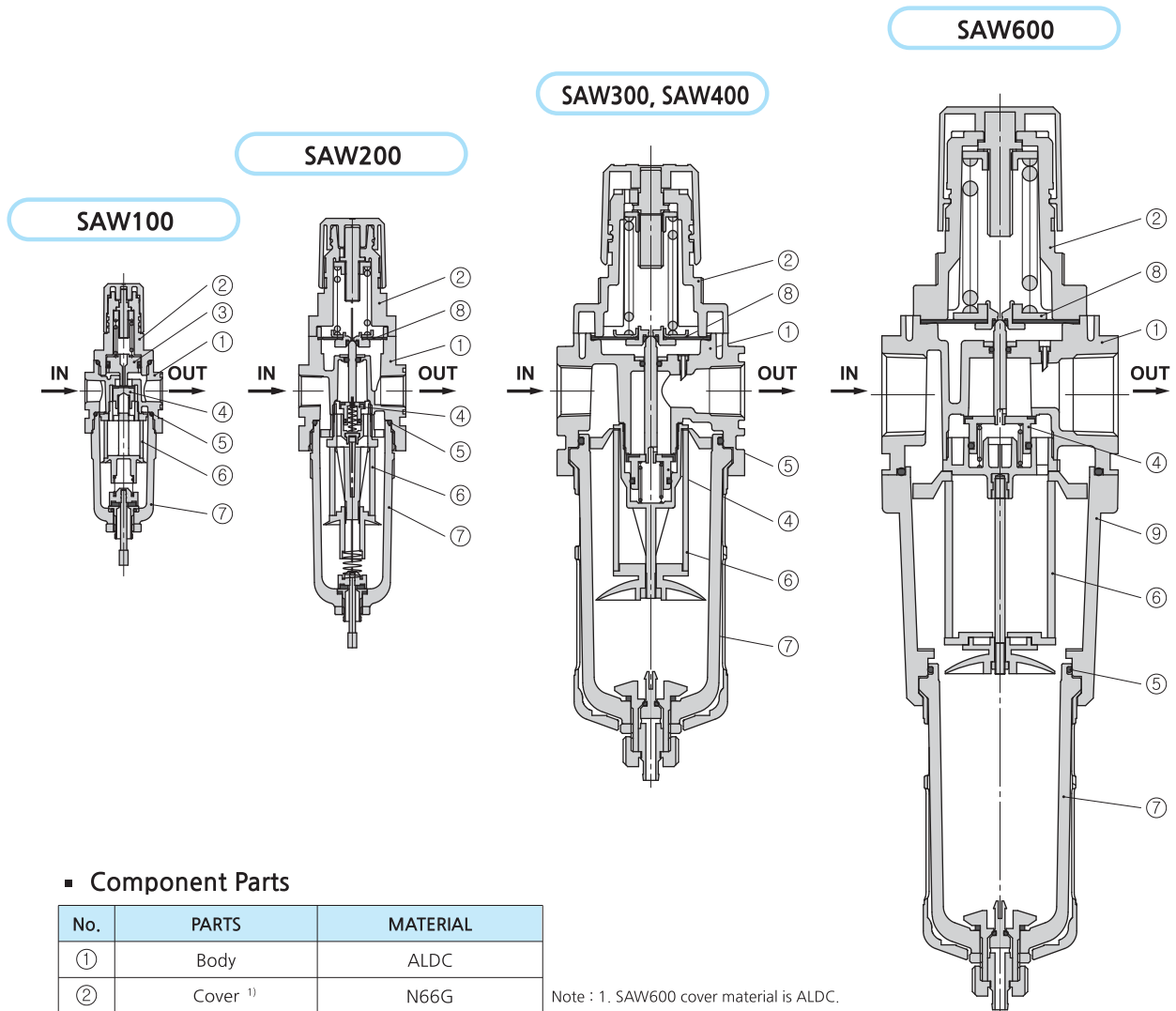
Specification

Fluid	Compressed Air
Max. operating pressure	10bar (1.0MPa)
Max. supply pressure	15bar (1.5MPa)
Ambient and Media temp.	-5~60°C (No freezing)
Regulating range	0.5~8.5bar (0.05~0.85MPa)
Filtration	10µm (option: 2, 5, 20, 40)
Bowl material	Poly-carbonate (option: ALDC)
Bowl Guard Material	Nylon
Construction	Relief type

Precautions

- ① Set the outlet pressure range for the regulator in a range that is 85% or less of the inlet pressure. If set above 85%, the inlet pressure will be easily effected by fluctuations in the flow rate and inlet pressure, and will become unstable.
- ② To set the pressure using the knob, turn the knob in the direction that increases pressure and lock the knob after the pressure is set. If this is done in the direction that decreases pressure, the pressure may drop from the original set pressure. Turning the knob clockwise increases the outlet pressure, and turning it counterclockwise reduces the pressure.
- ③ Please contact SKP when a circuit requires the use of a regulator having relief sensitivity with high precision and setting accuracy.
- ④ Residual pressure release (outlet pressure release) is not complete by releasing the inlet pressure. To release residual pressure, select a model with a back flow mechanism.
- ⑤ When auto drain is used, drain piping should be both 4mm or greater in diameter and less than 1m in length. Avoid installing drain piping upwards.
- ⑥ When auto drain is inoperable, drain manually by pushing the one-touch fitting upward.

STRUCTURE / PARTS



Component Parts

No.	PARTS	MATERIAL
①	Body	ALDC
②	Cover ¹⁾	N66G
③	Piston ²⁾	N66G
④	Check valve Ass'y	Brass, NBR
⑦	Bowl Ass'y ³⁾	PC & Nylon
⑧	Diaphragm Ass'y	NBR
⑨	Housing	ALDC

Note : 1. SAW600 cover material is ALDC.

Note : 2. The SAW100 and SAW200 are a piston type. Assembly of a piston and a seal.

3. Bowl Ass'y for the SAW300 to SAW600 models comes with a bowl guard (steel band material).

Replacement Parts

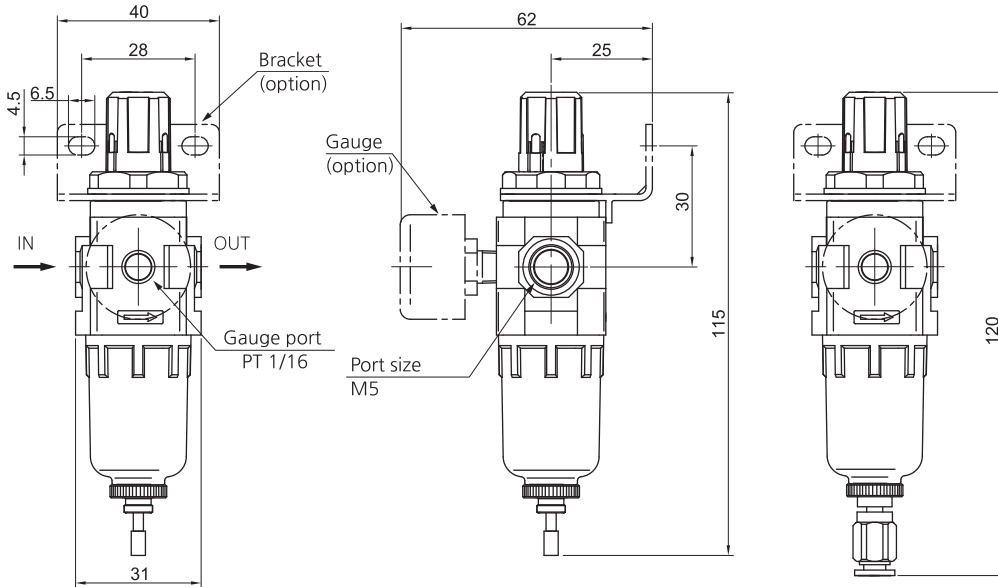
No.	PARTS	MATERIAL	Part no.				
			SAW100	SAW200	SAW300	SAW400	SAW600
⑤	O-ring	NBR	S22	U024	38x2	U137	U137
⑥	Element	-	W100-EL	W200-EL	W300-EL	W400-EL	W600-EL

Series SAW100~600

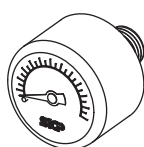
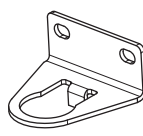
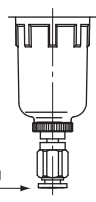
DIMENSIONS (mm)

SAW 100

■ SAW100-□01(M5)□□



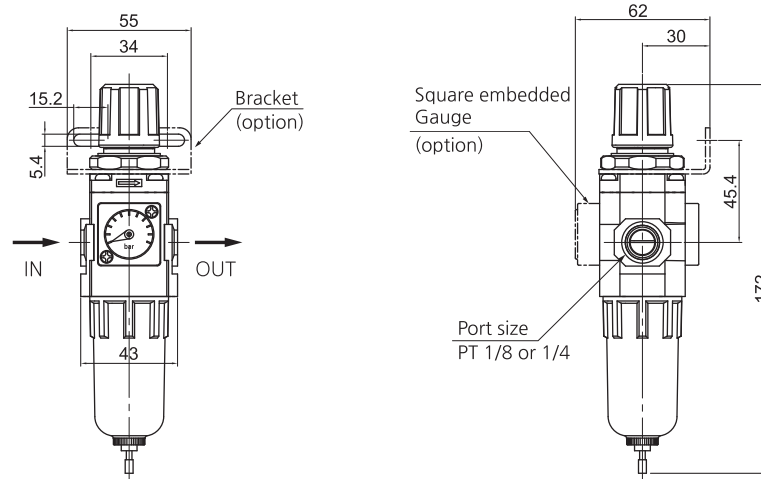
with Auto Drain
(Differential pressure type)

Option	G : Gauge	B : Bracket	D : Auto Drain (Differential pressure type)
Model	 <p>G25, R1/16</p>	 <p>B120</p>	 <p>Φ4mm One-touch fitting</p>

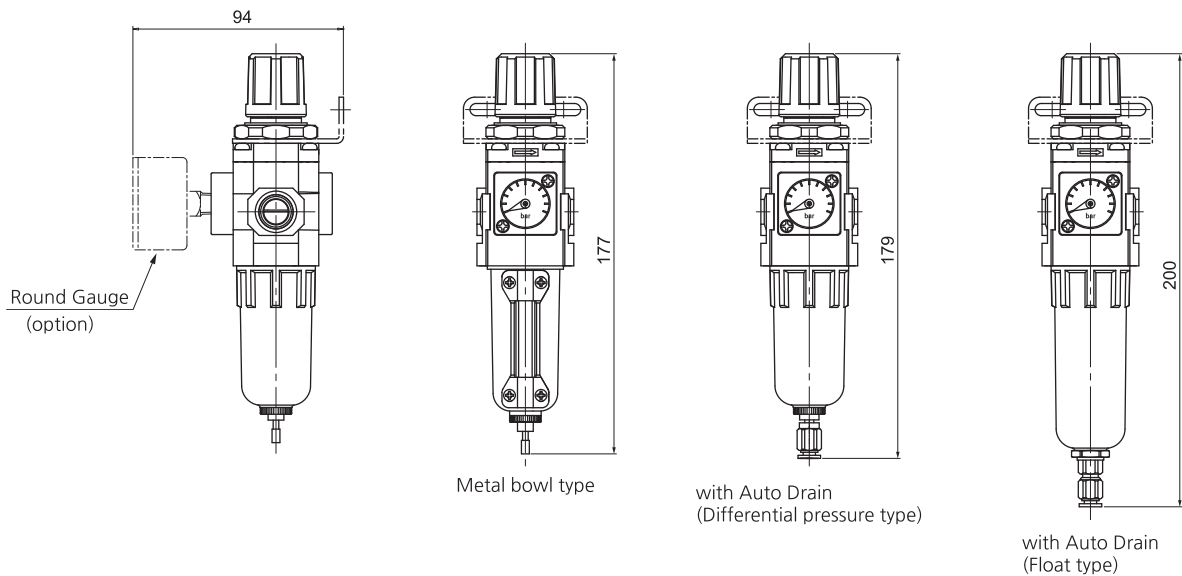
DIMENSIONS (mm)

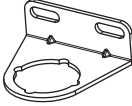


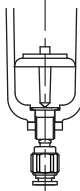
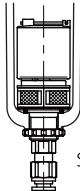
SAW 200

■ SAW200-□02□□□-□



■ Dimensions of each model with an option attached



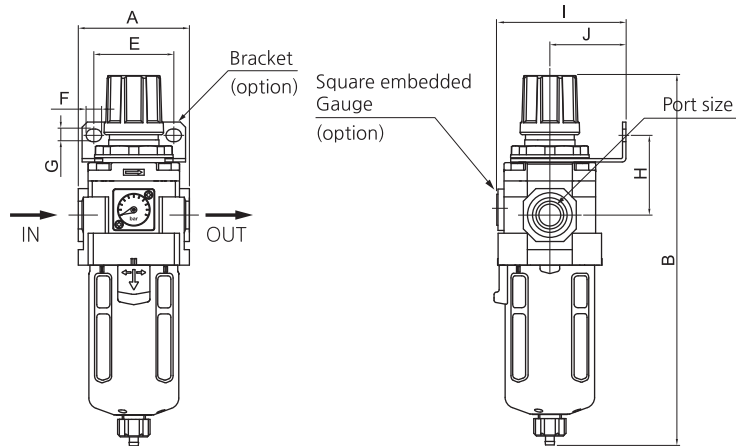
Option	B : Bracket	Gauge		Auto Drain	
		Gs : Square embedded	G : Round type	D : Differential pressure	Df : Float type
Model	 B220	 Gs28	 G40, R1/8		 SAD200

Series SAW100~600

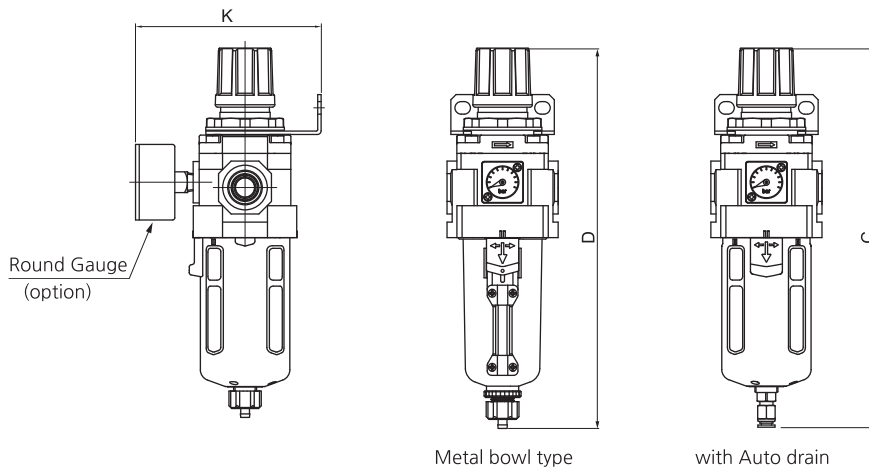
DIMENSIONS (mm)

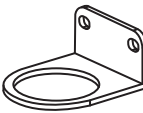
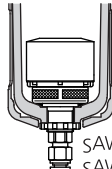


SAW 300~400

- SAW300-□03□□□-□
- SAW400-□04(06)□□□-□



- Dimensions of each model with an option attached



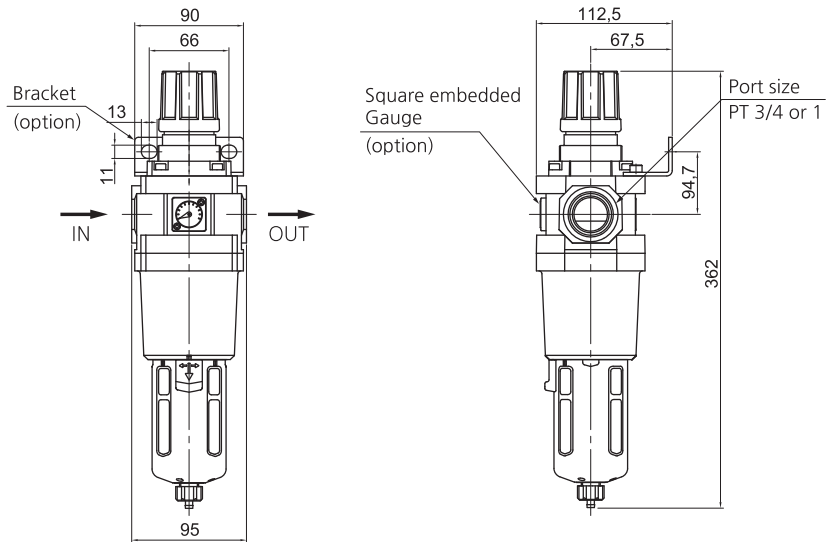
Option	B : Bracket	D : Auto Drain	Gauge	
			G : Round type	Gs : Square embedded type
Model	 SAW300 : B320 SAW400 : B420	 SAW300 : SAD300 SAW400 : SAD400	 SAW300 : G40, R1/8 SAW400 : G50, R1/4	 Gs28

Model	Port size	A	B	C	D	E	F	G	H	I	J	K
SAW300-03	1/4, 3/8	57	220	226	228	40	8	6.5	45.7	72	41	107
SAW400-04	1/2	75	251	258	256	54	10.5	8.5	54	87	50	127
SAW400-06	3/4	75	256.5	262.5	259	54	10.5	8.5	56.5	87	50	127

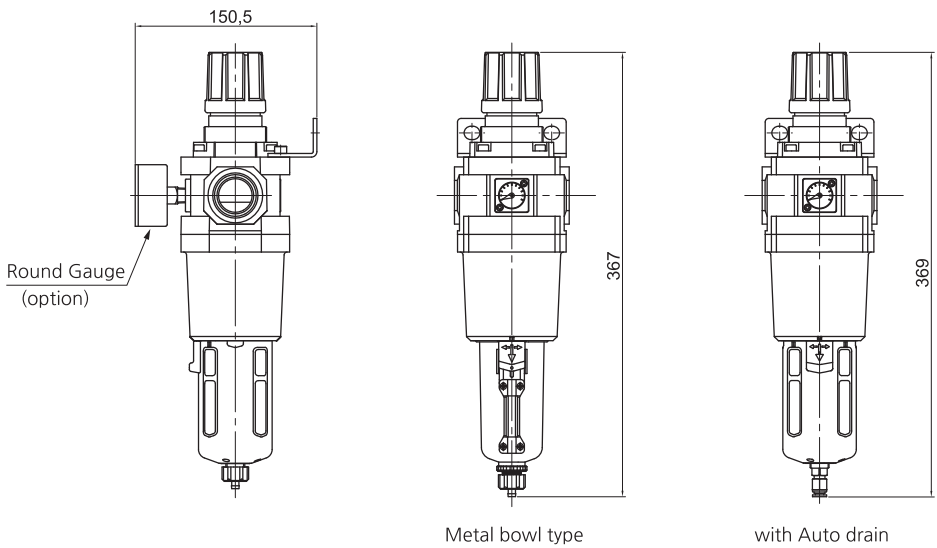
DIMENSIONS (mm)

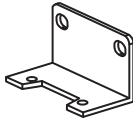
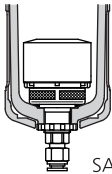


SAW 600

■ SAW600-□06(10)□□□-□



■ 기타 옵션부착시 치수



Option	B : Bracket	D : Auto Drain	Gauge	
			G : Round type	Gs : Square embedded type
Model	 B620	 SAD400	 G50, R1/4	 Gs28