

Micro Mist Separator (SAMD)

SAMD150~850 Series



SAMD650



SAMD450



SAMD150

150-550 series can be combined with other modular equipment.

- SAMD series separate and remove the oil particles or carbon and dust particles of size 0.01µm or greater in the air sol state. Accordingly SAMD series are ideal for filtering the compressed air necessary for precision measuring instruments and clean room.

How to order

SAMD 350 - 03 BD - MeP - S

① Micro Mist Separator

- ② **Body Size**
- 150 - 1/8
 - 250 - 1/4
 - 350 - 1/2
 - 450 - 3/4
 - 550 - 1
 - 650 - 1 1/2
 - 850 - 2

- ③ **Thread type**
- Nil - Rc(PT)
 - N - NPT
 - G - G(PF)

④ **Port Size**

Symbol	Size	Body size						
		150	250	350	450	550	650	850
01	1/8	●						
02	1/4	●	●					
03	3/8		●	●				
04	1/2			●				
06	3/4				●	●		
10	1					●		
12	1 1/4						●	
14	1 1/2							●
20	2							●

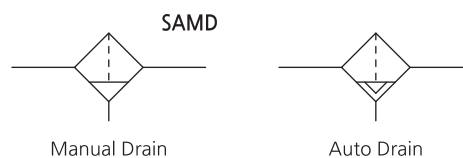
- ⑤ **Accessory(Optional)**
- Nil - None Bracket / Manual Drain
 - B - Bracket
 - D - Auto Drain

Symbol	Drain connector	Material
D	One-touch fitting (Φ6mm)	Acetal
Dn	Nipple(PT 1/8)	Brass

- ⑥ **Bowl**
- Nil - Metal bowl with flat type sight glass(MeF)
 - PcS - Polycarbonate bowl with Steel guard
 - MeP - Metal bowl with pipe type sight glass
- Note) 150 and 250 are the integral cover and bowl(MeF type).

- ⑦ **Option**
- Nil - None
 - S - Differential Pressure Indicator

Symbol



Specification

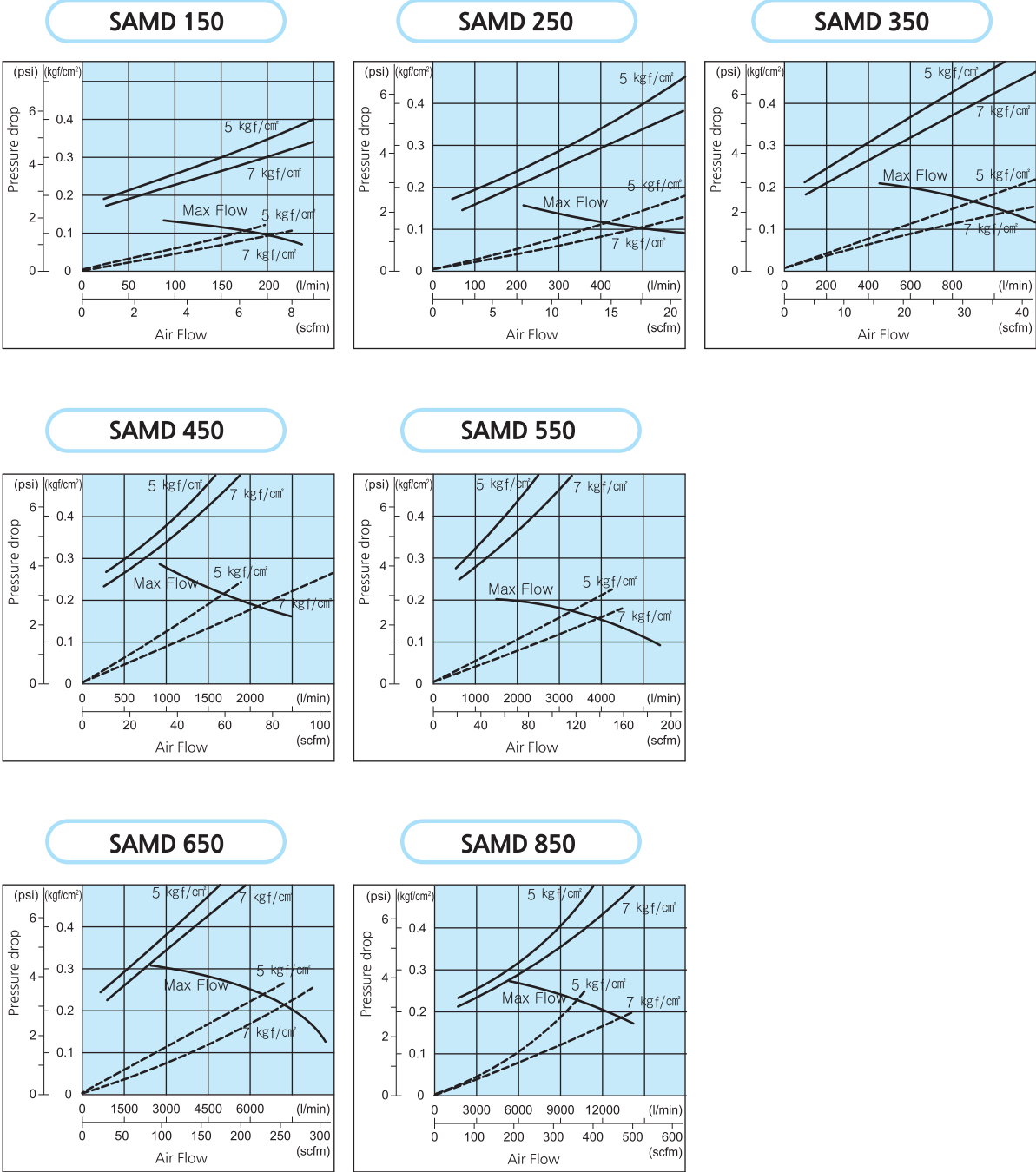
Fluid	Compressed Air
Max. operating pressure	10bar (1.0MPa)
Min. operating pressure	1.5bar (0.15MPa)
Max. supply pressure	15bar (1.5MPa)
Ambient and Media temp.	5 ~ 60°C
Filteration	0.01µm (Filtration efficiency: 99%)
Life of element	When pressure drop reached at 1bar

Precautions

- ① Filter element should be changed after 2years of use or when pressure drop reached at 1bar(0.1MPa).
- ② When auto drain is used, drain piping should be both 4mm or greater in diameter and less than 1m in length. Avoid installing drain piping upwards.
- ③ When auto drain is used it is recommended to use at least 1.5bar pressure.
- ④ When auto drain is inoperable, drain manually by pushing the one-touch fitting upward.
- ⑤ Before disassembling the equipment on the compressed air side to inspect the auto drain or to replace the filter element, confirm that the pressure is set to zero.
- ⑥ Please consult with SKP when using the product in applications other than compressed air.

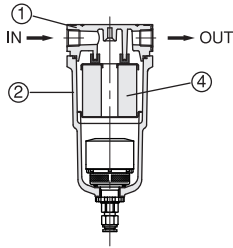
FLOW CHARACTERISTICS (— Element oil saturation - - - - Initial condition)

Note : Compressed air over max. flow line in the table below may not meet the specifications of the product. It may cause damage to the element.

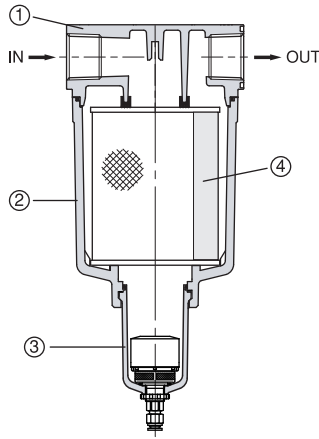


STRUCTURE / PARTS

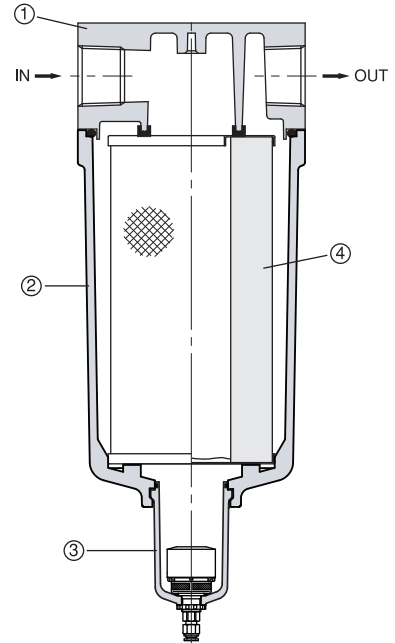
SAMD 150~250



SAMD 350~550



SAMD 650~850



▪ **Component Parts**

No.	PARTS	MATERIAL
①	Body	ALDC
②	Housing	ALDC
③	Bowl Ass'y	ALDC(MeP type)
		ALDC(MeF type)

▪ **Replacement Parts**

(mm)

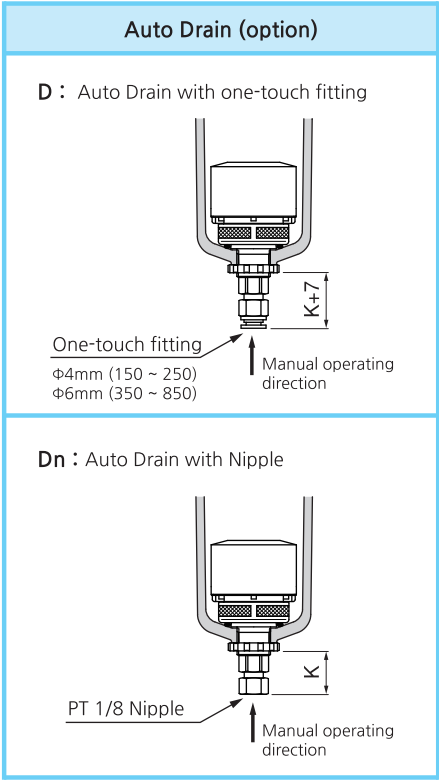
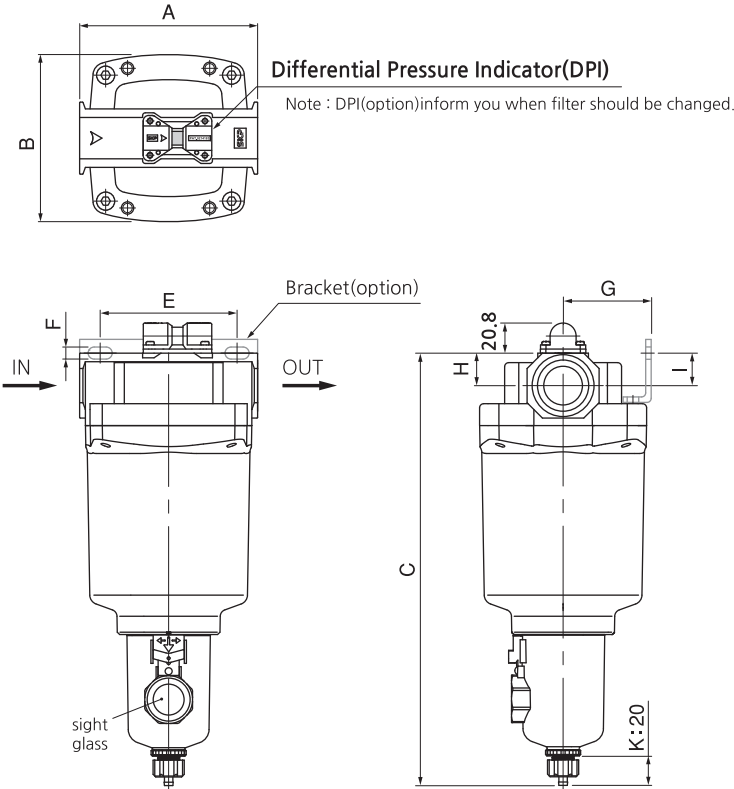
No.	PARTS	Part No. & Size(Φ x Height)						
		AMD-EL150	AMD-EL250	AMD-EL350	AMD-EL450	AMD-EL550	AMD-EL650	AMD-EL850
④	Filter	45 x 42	58 x 52.5	70 x 77	82 x 87	95 x 117	122 x 144	130 x 260

▪ **Sectional drawing (SAMD Filter)**

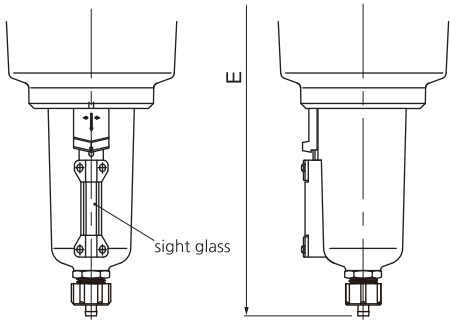
- 1) Porous Plastic Coalescing Stage**
 - Oleophilic Porous Plastic core.
 - In addition to removing particulates down to 40 μ m.
- 2) Remove Oil Media**
 - 0.3 μ m remove oil micro fiber media.
 - Coalescing element designed to remove oil and water aerosol from process air or gas.
- 3) Main Media**
 - Three element choices(0.01 μ m (AMD), 0.1 μ m (AM), 1 μ m (AFL)).
 - Pure borosilicate glass micro fiber.
- 4) Drain Layer**
 - Non-wetting fiber drain layer.
- 5) Porous Plastic Coalescing Stage**
 - In addition to removing particulates down to 40 μ m.
- 6) Coated Mesh**

DIMENSIONS (mm)

SAMD 150~550



- MeP - Metal Bowl with pipe type sight glass



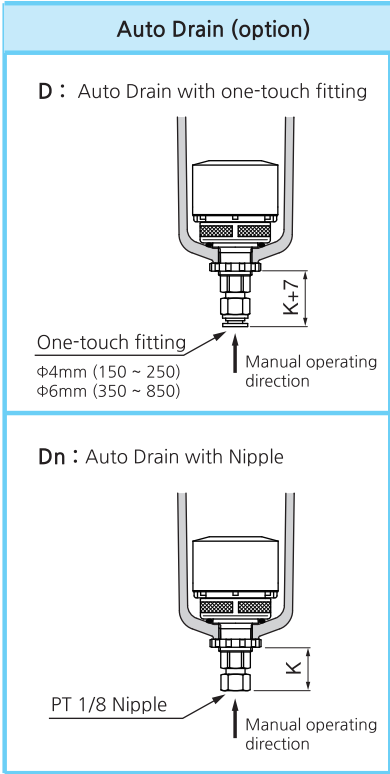
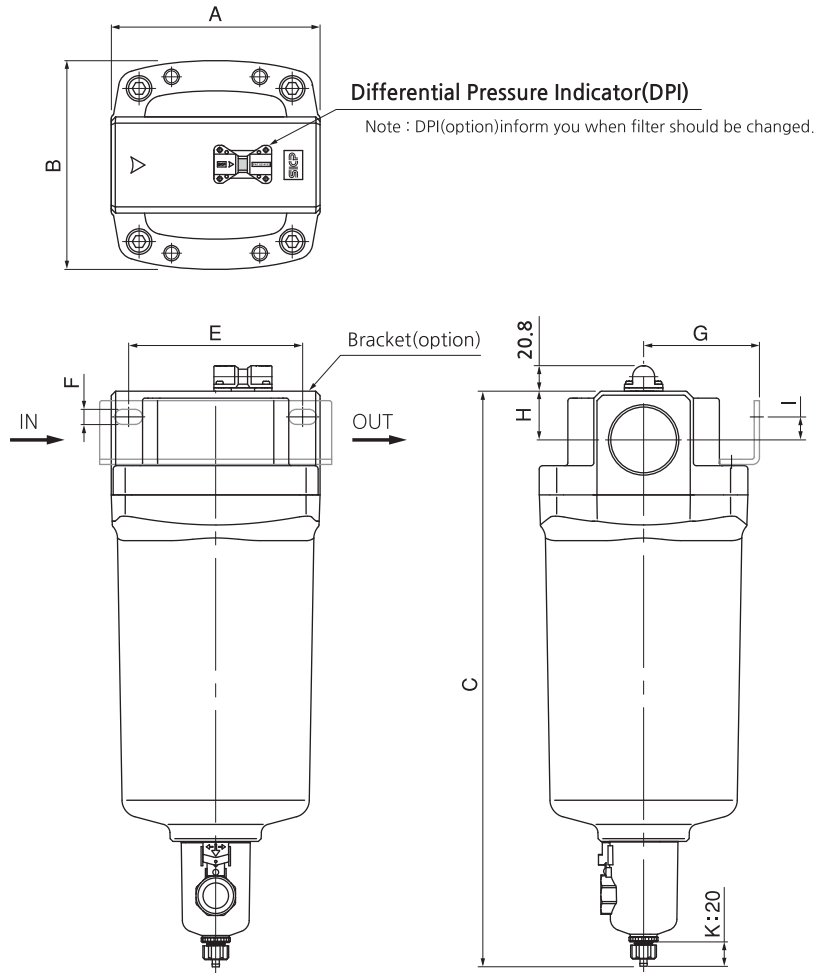
Note : 150 and 250 are the integral cover and bowl(MeF type)

Model	Port size	A	B	Height(manual drain)		E	F	G	H	I
				C(MeF)	D(MeP)					
SAMD 150	1/8, 1/4	67	66	158.5	-	56	6	33.6	10.5	19.7
SAMD 250	1/4, 3/8	82	76	177.7	-	66	6	39.5	14	13.5
SAMD 350	3/8, 1/2	98	90	253	273	80	7	49.8	17.9	15.9
SAMD 450	3/4	114	106	271.3	291.3	90	9	56.2	19.8	15.3
SAMD 550	3/4, 1	130	122	311.2	331.2	100	8.8	64.5	23.7	21

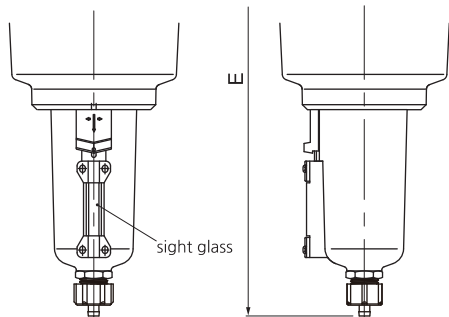
Series SAMD

DIMENSIONS (mm)

SAMD 650~850



- **MeP** - Metal Bowl with pipe type sight glass



Model	Port size	A	B	Height(manual drain)		E	F	G	H	I
				C(MeF)	D(MeP)					
SAMD 650	1 1/4, 1 1/2	160	160	361.2	381.2	150	13	93	32	27
SAMD 850	1 1/2, 2	180	180	490.7	510.7	150	13	100	42	20